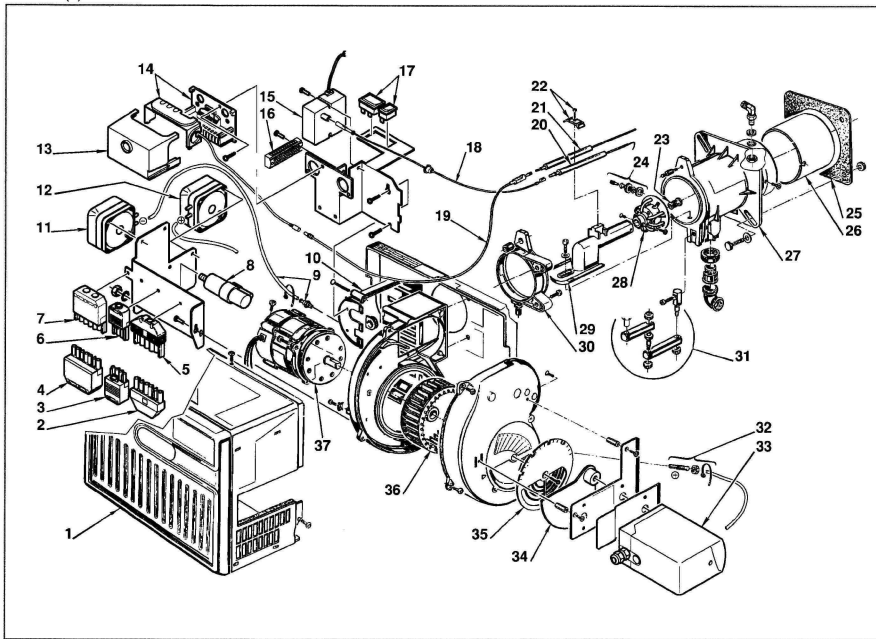


2907771 (1)



Buciatore di gas ad aria soffiatà • Forced draught gas burner • Brûleur gaz à air soufflé
 Gas-Gebäsbrenner • Quemador de gas de aire soplado
RIELLO 40 GS10/M
RIELLO 40 GS20/M
 COD. 3755556
 COD. 3755756
 TIPO / TYPE / TYP 729750
 TIPO / TYPE / TYP 730750

Catálogo ricambi
 Spare parts list
 Catalogue pièces détachées
 Catálogo repuestos



N.	COD.	DESCRIZIONE	DESCRIPTION	DESCRIPTION	BESCHREIBUNG	DENOMINACIÓN
1	3007445	● CARENATURA	BODY	CAPOT	VERKLEIDUNG	ENVOLVENTE
1	3007521	● CARENATURA	BODY	CAPOT	VERKLEIDUNG	ENVOLVENTE
2	3007426	● SPINA A 6 POLI	6 PIN PLUG	FICHE 6 POLES	6 - POLIGER STECKER	CONECTOR MACHO DE 6 CONTAC.
3	3006948	● SPINA A 4 POLI	4 PIN PLUG	FICHE 4 POLES	4 - POLIGER STECKER	CONECTOR MACHO DE 4 CONTAC.
4	3002453	● SPINA A 7 POLI	7 PIN PLUG	FICHE 7 POLES	7 - POLIGER STECKER	CONECTOR MACHO DE 7 CONTAC.
5	3007425	● PRESA A 6 POLI	6 POLE SOCKET	PRISE 6 POLES	6 - POLIGE STECKDOSE	CONECTOR HEMBRA DE 6 CONTAC.
6	3006949	● PRESA A 4 POLI	4 POLE SOCKET	PRISE 4 POLES	4 - POLIGE STECKDOSE	CONECTOR HEMBRA DE 4 CONTAC.
7	3006938	● PRESA A 7 POLI	7 POLE SOCKET	PRISE 7 POLES	7 - POLIGE STECKDOSE	CONECTOR HEMBRA DE 7 CONTAC.
8	3007479	● CONDENSATORE 4 µF	CAPACITOR 4 µF	CONDENSATEUR 4 µF	KONDENSATOR 4 µF	CONDENSADOR 4 µF
8	3008960	● CONDENSATORE 5 µF	CAPACITOR 5 µF	CONDENSATEUR 5 µF	KONDENSATOR 5 µF	CONDENSADOR 5 µF
9	3006605	● RACCORDO E TUBETTO	CONNECTOR AND TUBE	MAMELON ET TUYAU	NIPPEL UND RÖHRCHEN	RACORD - Y TUBO
10	3007260	● COPERCHIO	COVER	COUVERCLE	DECKEL	TAPA
10	3006998	● COPERCHIO	COVER	COUVERCLE	DECKEL	TAPA
11	3007444	● PRESSOSTATO	PRESSURE SWITCH	PRESSOSTAT	PRESSOSTAT	PRESSOSTATO
12	3007423	● PRESSOSTATO	PRESSURE SWITCH	PRESSOSTAT	PRESSOSTAT	PRESSOSTATO
12	3007444	● PRESSOSTATO	PRESSURE SWITCH	PRESSOSTAT	PRESSOSTAT	PRESSOSTATO
13	3002478	● APPARECCHIATURA	CONTROL BOX	BOITE DE CONTROLE	STEUERGERÄT	CAJA DE CONTROL
14	3003596	● ZOCOCCO	CONTROL BOX BASE	BORNIER	STECKSOCKEL	ZOCALO
15	3002480	● TRASFORMATORE	TRANSFORMER	TRANSFORMATEUR	ZÜNDTRANSFORMATOR	TRANSFORMADOR
16	3002479	● MORSETTIERA	CONTROL BOX BASE	SOCLE	STECKSOCKEL	ZOCALO
17	3012080	● INTERRUITTORE	SWITCH	INTERRUPTEUR	AUSSCHALTER	INTERRUPTOR
18	3007879	● COLLEGAMENTO A.T.	HIGH VOLTAGE LEAD	CABLE HAUTE TENSION	KABEL ZÜNDELEKTRODEN	CABLES ELECTRODOS
19	3006490	● COLLEGAMENTO SONDA	LEAD	CABLE DE CONNEXION	IONISATIONS KABEL	CABLE CONEXIÓN
20	3002481	● ELETTRODO	ELECTRODE	ELECTRODE	ELECTRODE	ELECTRODO
20	3002482	● ELETTRODO	ELECTRODE	ELECTRODE	ELECTRODE	ELECTRODO
21	3002483	● SONDA	PROBE	SONDE	FÜHLER	SONDA
21	3002484	● SONDA	PROBE	SONDE	FÜHLER	SONDA
22	3007255	● CAVALLOTTO	U BOLT	CAVALIER	BÜGELBOLZEN	SOPORTE FIJACIÓN
22	3003409	● CAVALLOTTO	U BOLT	CAVALIER	BÜGELBOLZEN	SOPORTE FIJACIÓN
23	3006702	● DIFFUSORE	GAS NOZZLE	DIFFUSEUR	GAS VERTEILER	DIFUSOR
23	3006703	● DIFFUSORE	GAS NOZZLE	DIFFUSEUR	GAS VERTEILER	DIFUSOR
24	3005447	● GRUPPO MISURAZIONE	TEST POINT	PRISE DE PRESSION	MESSNIPPEL	GRUPO TOMA DE PRESION
25	3005795	● SCHERMO	GASKET	JOINT	DICHTUNG	JUNTA AISLANTE
25	3006710	● SCHERMO	GASKET	JOINT	DICHTUNG	JUNTA AISLANTE
26	3000918	● IMBUTO FIAMMA	END CONE	EMBOU GUEULARD	FLAMMENROHR	TUBO LLAMA
26	3000919	● IMBUTO FIAMMA	END CONE	EMBOU GUEULARD	FLAMMENROHR	TUBO LLAMA
27	3002486	● MANICOTTO	MANIFOLD	MANCHON	GASANSCHLUSS	TUBO LLAMA
28	3002487	● MANICOTTO	MANIFOLD	MANCHON	GASANSCHLUSS	TUBO LLAMA
28	3005945	● DISTRIBUTORE - ELICA	DISTRIBUTOR-DIFFUSER DISC	DISTRIBUTEUR - ACCR. FLAMME	VERTEILER-STAUISCHEIBE	CUERPO BRIDA
28	3006700	● DISTRIBUTORE - ELICA	DISTRIBUTOR-DIFFUSER DISC	DISTRIBUTEUR - ACCR. FLAMME	VERTEILER-STAUISCHEIBE	DISTRIBUIDOR - DISCO ESTABILIZ.
29	3006944	● GOMITO	ELBOW	COUDE	SCHLITTEN	DISTRIBUIDOR - DISCO ESTABILIZ.
29	3006944	● GOMITO	ELBOW	COUDE	SCHLITTEN	DISTRIBUIDOR - DISCO ESTABILIZ.
29	3006997	● GOMITO	ELBOW	COUDE	SCHLITTEN	DISTRIBUIDOR - DISCO ESTABILIZ.
30	3006688	● COLLARE	COLLAR	COLLIER	INNERER FLANSCH	CODO
30	3006689	● COLLARE	COLLAR	COLLIER	INNERER FLANSCH	CODO
31	3000870	● CERNIERA	HINGE	CHARNIERE	SCHARNIEREINHEIT	COLLARIN
32	3006933	● RACCORDO E TUBETTO	CONNECTOR AND TUBE	MAMELON ET TUYAU	NIPPEL UND RÖHRCHEN	COLLARIN
32	3006933	● RACCORDO E TUBETTO	CONNECTOR AND TUBE	MAMELON ET TUYAU	NIPPEL UND RÖHRCHEN	COLLARIN
32	3006997	● RACCORDO E TUBETTO	CONNECTOR AND TUBE	MAMELON ET TUYAU	NIPPEL UND RÖHRCHEN	COLLARIN

N.	COD.	DESCRIZIONE	DESCRIPTION	DESCRIPTION	BESCHREIBUNG	DENOMINACIÓN
33	3002488	• SERVOMOTORE	SERVOMOTOR	SERVOMOTEUR	STELLANTRIEB	SERVOMOTOR
34	3002489	• SERRANDA	AIR DAMPER	VOLET AIR	LUFTKLAPPE	REGISTRO DEL AIRE
35	3002491	• SERRANDA	AIR DAMPER	VOLET AIR	LUFTKLAPPE	REGISTRO DEL AIRE
36	3002492	• SERRANDA	AIR DAMPER	VOLET AIR	LUFTKLAPPE	REGISTRO DEL AIRE
36	3005738	• GIRANTE	FAN	VENTILATEUR	GEBLÄSERAD	REGISTRO DEL AIRE
37	3008855	• MOTORE	MOTOR	MOTEUR	MOTOR	TURBINA
37	3008972	• MOTORE	MOTOR	MOTEUR	MOTOR	MOTOR

3755556
3755756