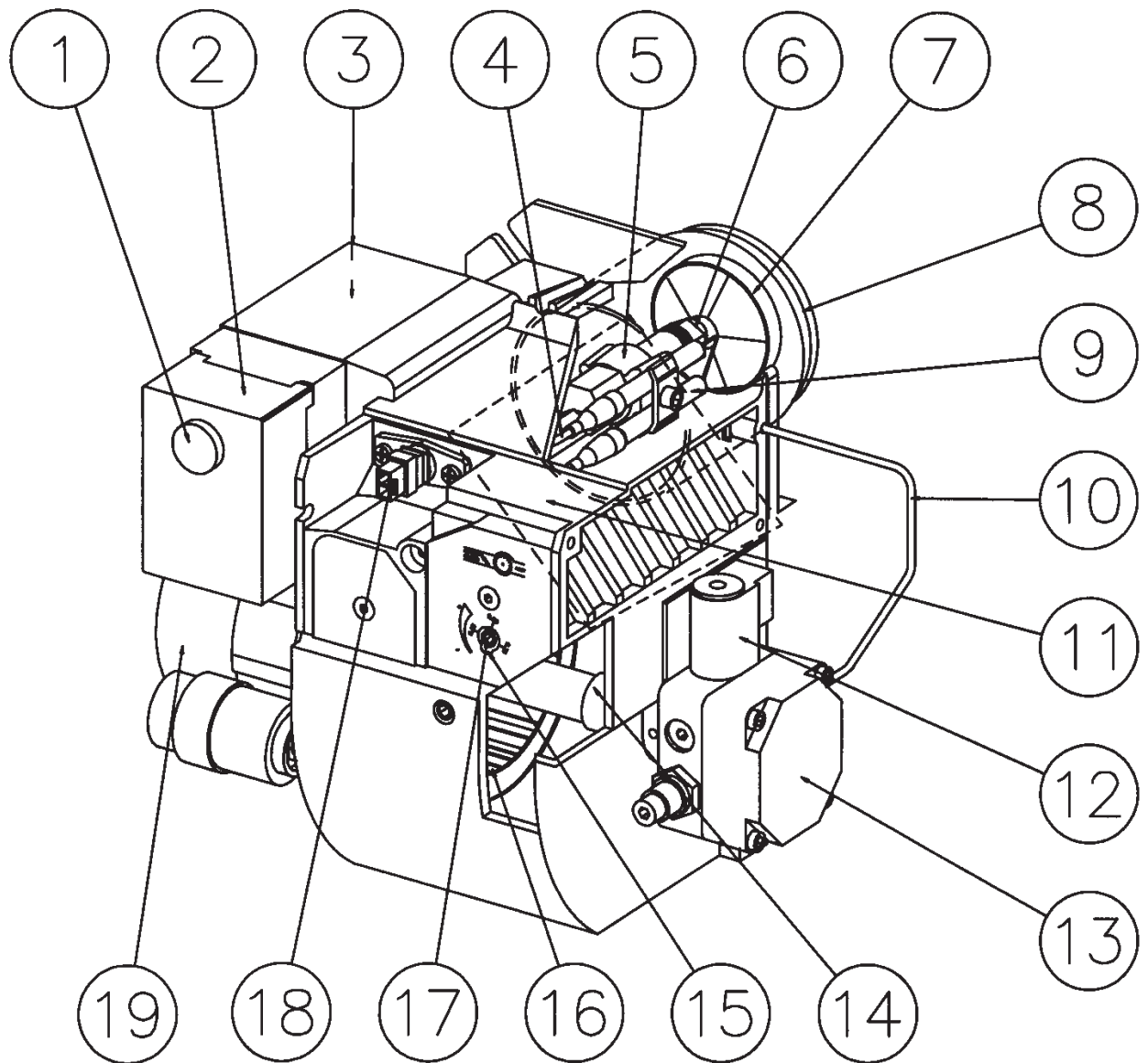


Installation- and maintenance instruction  
**BENTOFLEX ST120KA**

# DESCRIPTION

## Components



- 1. Reset button
- 2. Control box
- 3. Ignition transformer
- 4. Ignition cables
- 5. Nozzle assembly
- 6. Nozzle
- 7. Brake plate

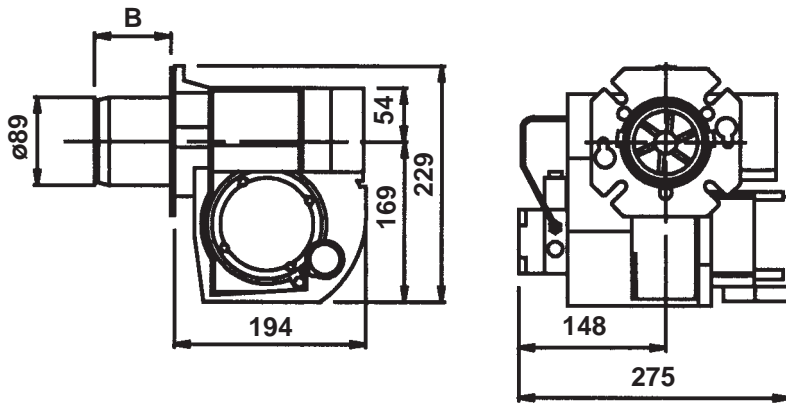
- 8. Blast tube
- 9. Ignition electrodes
- 10. Connecting pipe
- 11. Air damper
- 12. Solenoid valve
- 13. Pump
- 14. Drive coupling

- 15. Indication, air damper
- 16. Fan wheel
- 17. Adjustment, air damper
- 18. Photoresistor
- 19. Motor

# TECHNICAL DATA

## ST 120 KA

### Dimensions



Burner tube	Length of burner tube	Incl. flange A Measure B	Incl. flange B Measure B	Incl. flange C Measure B	Incl. flange D Measure B
KA	94	56	69	77	76
KA	147	109	122	130	129
KA	197	159	172	180	179
KA	224	186	199	207	206

### Output range and nozzles recommended

Burner tube	Oil capacity		Output		Recommended Nozzle		Recommended Pump pressure
	kg/h	kW	Mcal/h	Angle	Type	Bar	
KA	2,0-5,6	24-66	20-57	60°, 80°	H, S	10	

The net calorific value of 11,86 kWh/kg for light oil has been used.

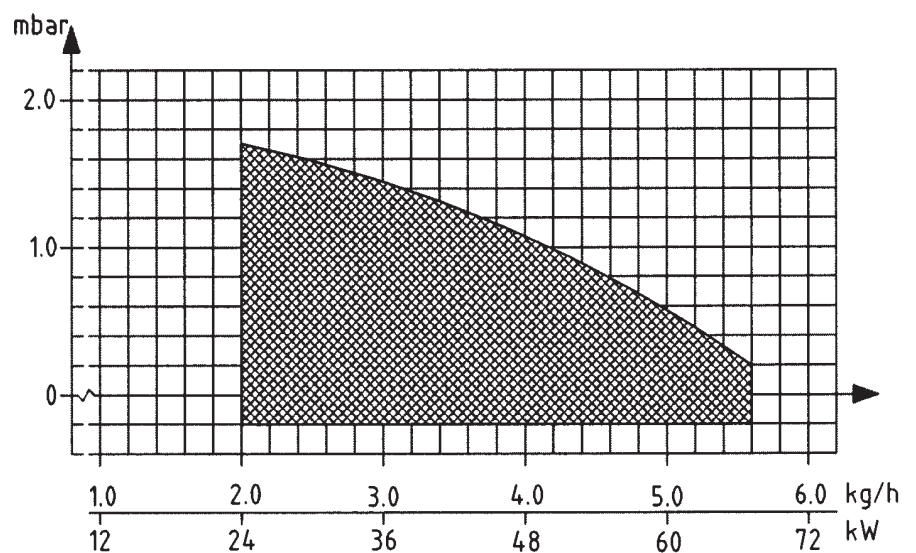
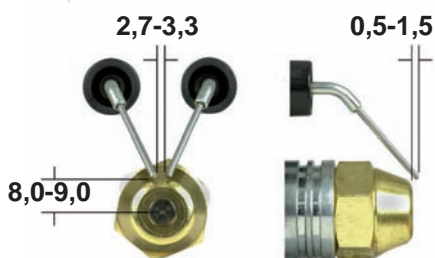
### Recommended nozzle

Because of different boiler types existing on the market, with varying combustion chamber designs, it is

not possible to state a definite spray angle or spray pattern.

Note that the spray angle and the spray pattern change with the pump pressure.

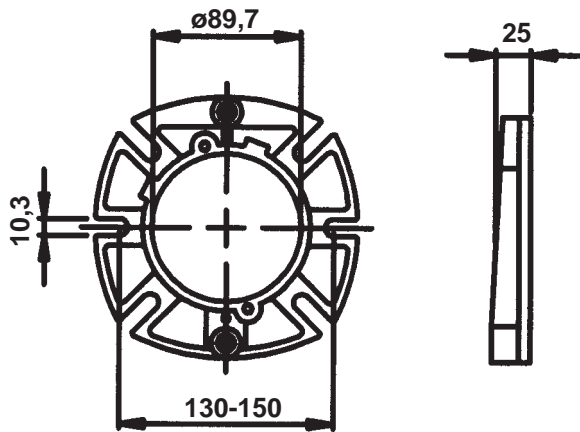
### Electrode adjustment



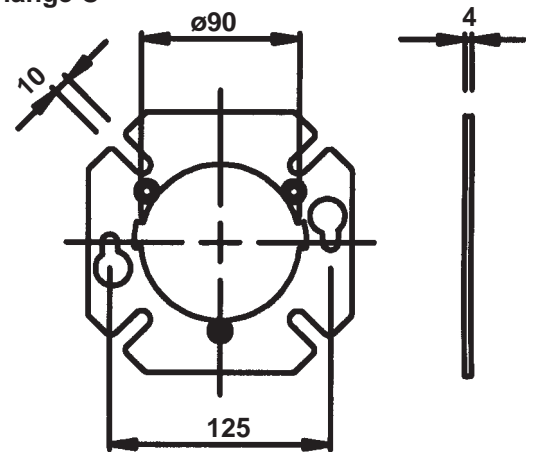
# TECHNICAL DATA

## Dimensions

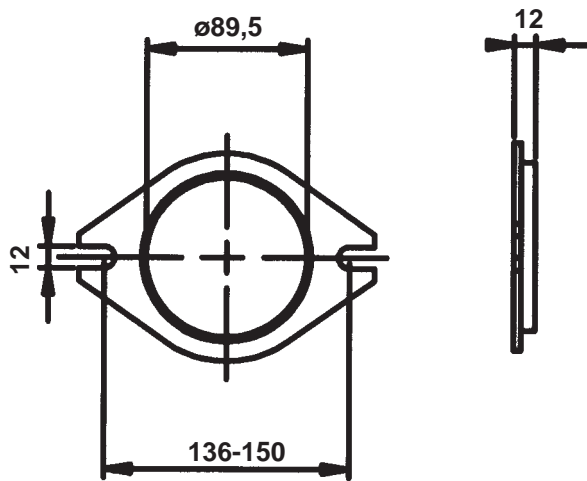
### Flange A



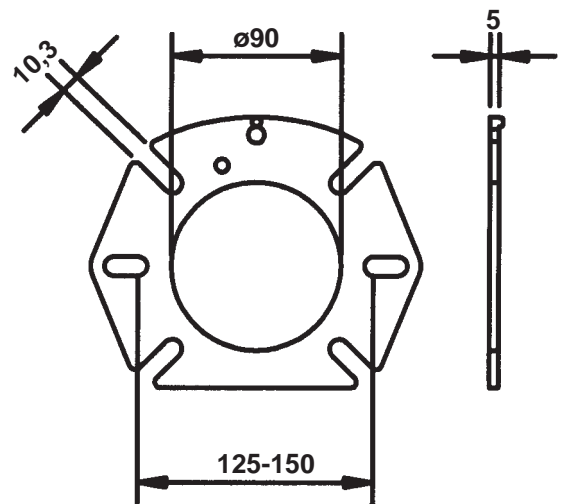
### Flange C



### Flange B



### Flange D



# GENERAL INSTRUCTIONS

## General rules

The installation of an oil burner should be carried out in accordance with local regulations. The installer of the burner must therefore be aware of all regulations relating to oil and combustion. Only oil suitable for the burner should be used and then in combination with a suitable oil filter before the oil pump of the burner.

If the burner is replacing an existing burner make sure that the oil filter is replaced or cleaned. The installation must only be undertaken by experienced personnel. Care should be taken by the installer to ensure that no electrical cables or fuel/gas pipes are trapped or damaged during installation or service/maintenance.

## Installation instructions

General installation instructions accompany the burner and should be left in a prominent place adjacent to the burner.

## Adjustment of burner

The burner is from the factory pre-set to an average value that must then be adjusted to the boiler in question.

All burner adjustments must be made in accordance with boiler manufacturers instructions. These must include the checking of flue gas temperatures, average water temperature and CO<sub>2</sub> or O<sub>2</sub> concentration.

To adjust the combustion device, start by increasing the air volume somewhat.

When the burner starts it is burning with excess air and smoke number 0. Reduce the air volume until soot occurs and increase again to reach a combustion free of soot.

By this procedure an optimum adjustment is obtained. If larger nozzles are used the preadjustment of the air volume must be increased.

## Condensation in chimney

A modern burner works with less excess air and often also with smaller nozzles than older models. This increases the efficiency but also the risk of condensation in the chimney. The risk increases if the area of the chimney flue is too large. The temperature of the flue gases should exceed 60°C measured 0,5 metres from the chimney top.

Measures to raise the temperature:

- Insulate the chimney in cold attics
- Install a tube in the chimney
- Install a draught regulator (dilutes the flue gases during operation and dries them up during standstill)
- Increase the oil quantity
- Raise the flue gas temperature by removing turbulators, if any, in the boiler.

## Instructions for use

The end user of the burner should be instructed about the operation and safety features of the burner.

He should also be made aware of the importance of the area around the boiler/burner being kept free of combustible material.

## Pump adjustment

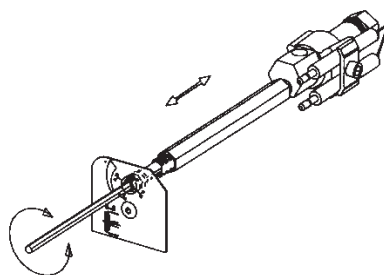
See separate description.

## Adjustment of burner

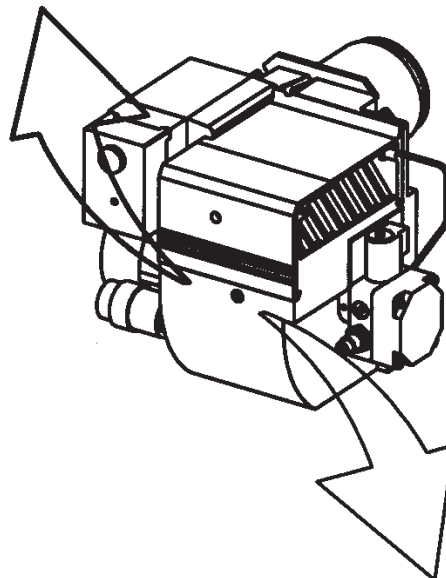
To obtain a correct adjustment a flue gas analysis and a temperature measurement must be carried out. Otherwise there is a risk that a bad adjustment may cause a formation of soot, bad efficiency or condensate in the chimney.

## Maintenance

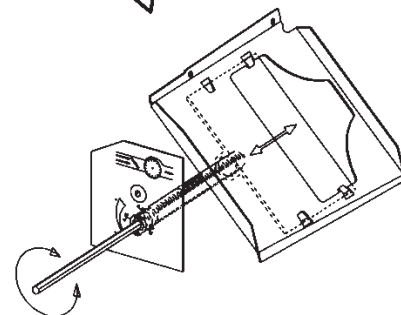
The boiler/burner should be examined regularly for any signs of malfunction or oil leakage.



Adjustment of nozzle assembly 0 - 22

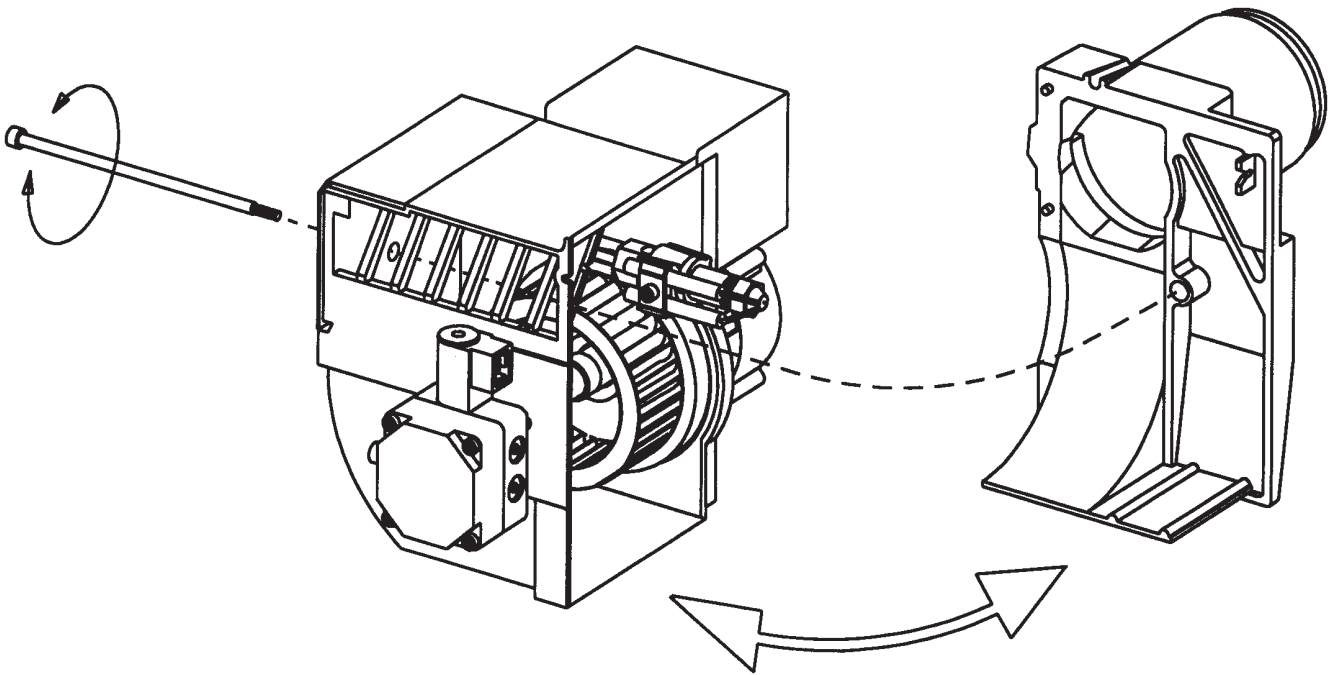


Air adjustment 0 - 32



## MAINTENANCE OF OIL BURNER

**Warning:** Before doing any service switch off power at the main switch and cut off the oil supply



Service of burner head and nozzle assembly

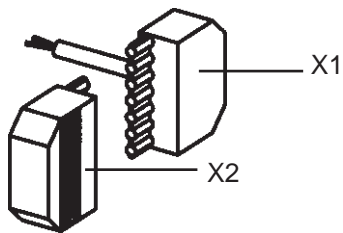
# ELECTRIC EQUIPMENT

Oil burner control: LMO14.113... / LMO24.255... / LOA24.171..

## List of components

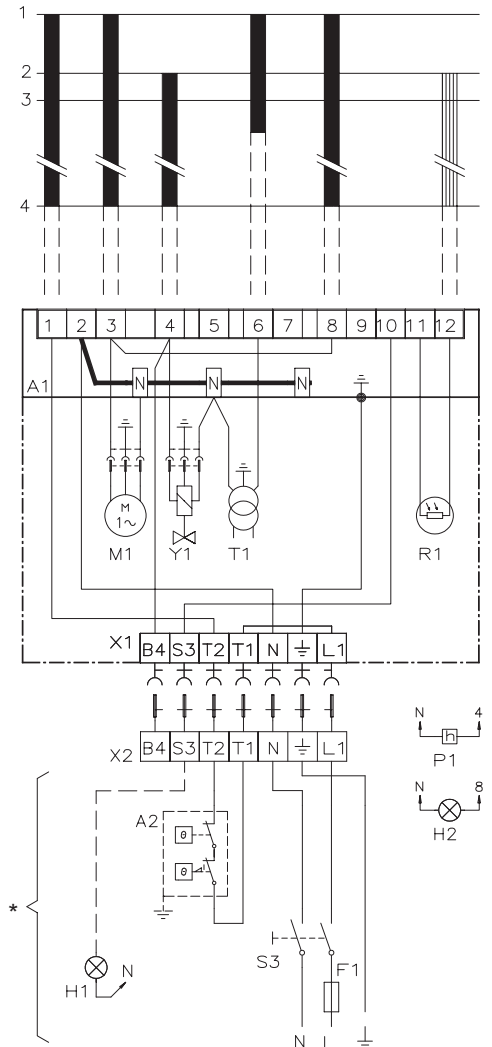
- A1 Oil burner control
- A2 Twin thermostat
- F1 Fuse, max. 10A
- H1 Alarm lamp
- H2 Signal lamp (optional)
- M1 Burner motor
- P1 Time meter (optional)
- R1 Photoresistor
- S3 Main switch
- T1 Ignition transformer
- Y1 Solenoid valve
- X1 Plug-in contact, burner
- X2 Plug-in contact, boiler

## Outer electrical connection



Mains connection and fuses in accordance with local regulations.

## Wiring diagram



\* If there is no plug-in contact (X2) on the boiler, connect to the contact enclosed. In case the twin thermostat is in series on incoming phase L1, a loop between the terminals T1 and T2 is necessary.

# ELECTRIC EQUIPMENT

---

## Function

### 1. Switch on operating switch and twin thermostat

The burner motor starts, an ignition spark is formed, the prepurge goes on till the prepurge period expires and the solenoid valve opens (2).

### 2. Solenoid valve opens

Oil mist is formed and ignited. The photocell indicates a flame. The ignition spark goes out after flame indication (See Technical data oil burner control).

### 3. The safety time expires

- a. If no flame is established before this time limit the control cuts out.
- b. If for some reasons the flame disappears after this time limit, the burner will make an attempt to re-start.

### 3-4. Operating position

If the burner operation is interrupted by means of the main switch or the thermostat, a new start takes place when the conditions in accordance with point 1 are fulfilled.

### The oil burner control cuts out

A red lamp in the control is lit. Press the reset button and the burner re-starts.

## Technical data oil burner control

	LMO14.113...	LMO24.255...	LOA24.171...
Pre-ignition time:	15 s	25 s	13 s
Pre-purge time:	16 s	26 s	13 s
Post-ignition time:	3 s	5 s	15 s
Safety lock-out time:	< 10 s	< 5 s	< 10 s
Reset time after lockout:	< 1 s	< 1 s	< 50 s
Reaction time on flame failure:	< 1 s	< 1 s	< 1 s
Ambient temperature:	-5 +60°C	-20 - +60°C	-20 - +60°C
Min. current with flame established:	45 µA	45 µA	65 µA
Max. photo current at start:	5,5 µA	5,5 µA	5 µA
Enclosure:	IP 40	IP 40	IP 40

## Control of photo current

Current through photo unit is measured with a d.c. ammeter (a moving coil instrument connected in series with the photo unit).



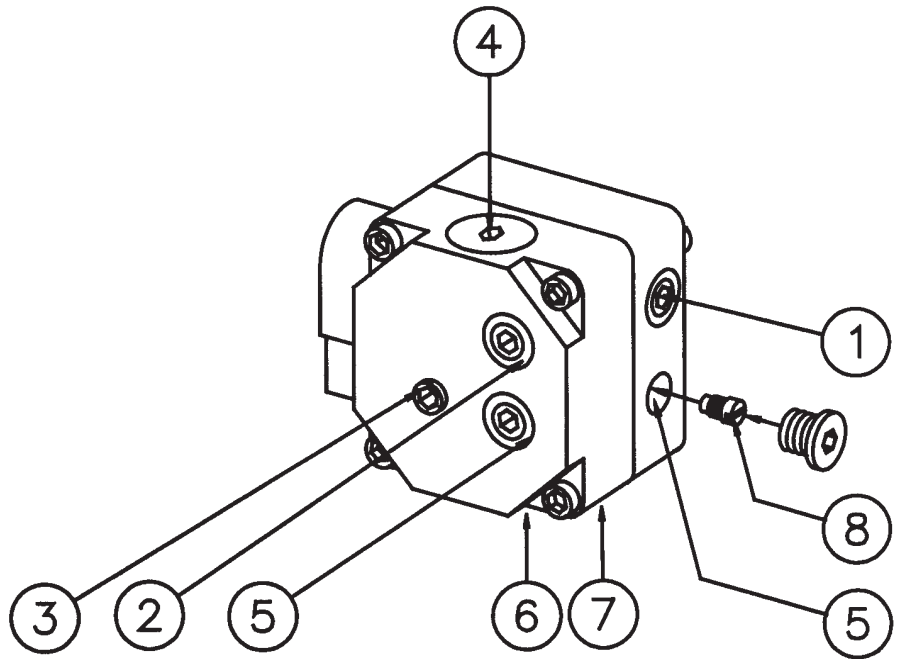
# INSTRUCTIONS PUMP TYPE DANFOSS BFP41

## Technical data

Viscosity range: 1,3-12,0 mm<sup>2</sup>/s  
 Pressure range: 7-15 bar  
 Oil temperature: -10 to +70°C

## Components

1. Nozzle port G1/8"
2. Pressure gauge port
3. Pressure adjustment, 4mm allen key
4. Cartridge filter
5. Vacuum gauge port G1/8"
6. Return line G1/4"
7. Suction line G1/4"
8. Return plug



## Suction line tables

The suction line tables consist of theoretically calculated values where the pipe dimensions and oil velocity have been matched so that turbulences will not occur. Such turbulences will result in increased pressure losses and in acoustic noise in the pipe system. In addition to drawn copper piping a pipe system usually comprises 4 elbows, a non-return valve, a cut-off valve and an external oil filter.

The sum of these individual resistances is so insignificant that they can be disregarded. The tables do not include any lengths exceeding 100 m as experience shows that longer lengths are not needed.

The tables apply to a standard fuel oil of normal commercial quality according to current standards. On commissioning with an empty tube system the oil pump should not be run without oil for more than 5 min. (a condition is that the pump is being lubricated during operation).

The tables state the total suction line length in metres at a nozzle capacity of 2,5 kg/h. Max. permissible pressure at the suction and pressure side is 2,0 bar.

## Purging

On 1-pipe systems it is necessary to purge the pump. On 2-pipe systems purging is automatic through the return line.

<b>1-pipe system</b> Height H      Pipe diameter m      ø4 mm      ø5 mm      ø6 mm m      m      m      m		<b>1-pipe system</b> Height H      Pipe diameter m      ø4 mm      ø5 mm      ø6 mm m      m      m      m	
4,0      51      100      100 3,5      45      100      100 3,0      38      94      100 2,5      32      78      100 2,0      26      62      100 1,5      19      47      97 1,0      13      31      65 0,5      6      16      32		With an underlying tank a 1-pipe-system is not recommended	
<b>Two-pipe system</b> Height H      Pipe diameter m      ø6 mm      ø8 mm      ø10 mm m      m      m      m		<b>Two-pipe system</b> Height H      Pipe diameter m      ø6 mm      ø8 mm      ø10 mm m      m      m      m	
4,0      33      100      100 3,5      31      98      100 3,0      29      91      100 2,5      27      85      100 2,0      25      79      100 1,5      23      72      100 1,0      21      66      100 0,5      19      60      100		0      17      53      100 -0,5      15      47      100 -1,0      13      41      99 -1,5      11      34      84 -2,0      9      28      68 -2,5      7      22      53 -3,0      5      15      37 -3,5      3      9      22 4,0      1      3      6	

# INSTRUCTIONS PUMP TYPE DANFOSS BFP41

## Function Danfoss BFP41

When the oil pump is started, oil is drawn from the suction connection (S) through the filter (H) to the suction side of the gear wheel (C).

The gear wheel then pumps oil to the pressure side and the oil is put under pressure.

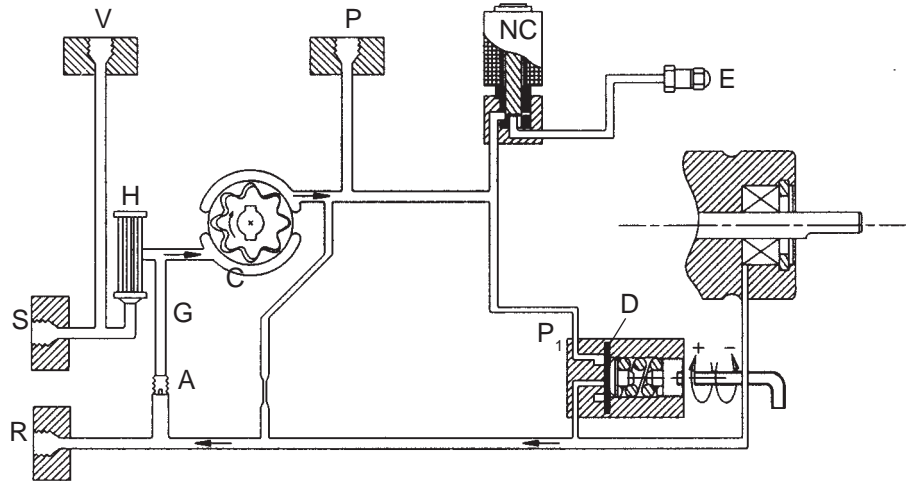
The pressure is controlled and kept constant at the set value by the regulating valve ( $P_1$ ) with the diaphragm (D).

The regulating valve ( $P_1$ ) distributes the oil quantity supplied by the gear set (C) between the nozzle port (E) and the return side of the pump (R).

The oil quantity utilized is determined by the set pressure on the regulating valve ( $P_1$ ) and the size of the oil nozzle in the nozzle line.

The valve ( $P_1$ ) functions in the following way:

- When the opening pressure has been reached, the passage to the return side opens.
- The diaphragm and the spring keep the pump pressure constant at set value.
- If the pump is overloaded, i.e. if you try to get out more



oil than the gear set can supply under existing circumstances, the oil pressure falls below the set value and the valve closes against the return side (R) by means of the diaphragm (D) and goes into starting position.

This can be remedied by:

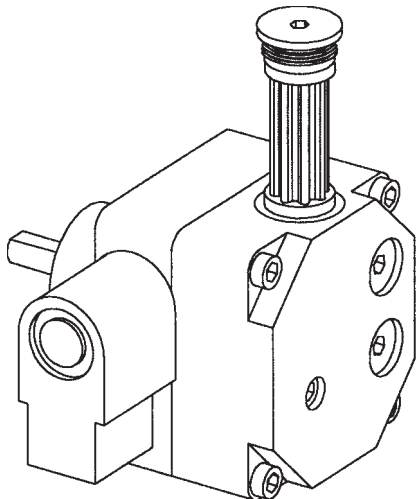
- Reducing the pump pressure.
- Reducing the oil quantity supplied by using a smaller nozzle.
- Using a pump with a larger capacity.

## Burner with preheating

Consider that the oil quantity is reduced at preheating by 5-20% depending on.

- Rise in temperature at the nozzle
- Nozzle design
- Capacity (high capacity - small difference)

## Replacement of cartridge filter

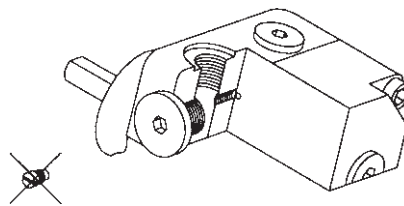


### How to remove cartridge filter from plug

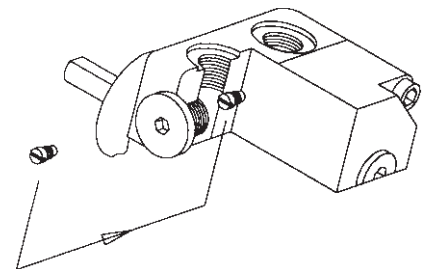
Unscrew the cartridge filter plug in the cover by means of a 4 mm allen key and withdraw the cartridge filter. If necessary, put a screwdriver between the cartridge filter and the plug and turn the cartridge filter carefully until it comes off. Reject the cartridge filter and replace it by a new one. Press it on to the plug. Ensure that the O-ring is not damaged. Then fit the new cartridge filter to the pump.

## Mounting/dismounting return plug

One pipe system



Two pipe system



# NOZZLE TABLE

Pump pressure bar

Gph	8			9			10			11		
	kg/h	kW	Mcal/h	kg/h	kW	Mcal/h	kg/h	kW	Mcal/h	kg/h	kW	Mcal/h
0,40	1,33	16	13	1,41	17	14	1,49	18	15	1,56	18	16
0,50	1,66	20	17	1,76	21	18	1,86	22	19	1,95	23	20
0,60	2,00	24	20	2,12	25	22	2,23	26	23	2,34	28	24
0,65	2,16	26	22	2,29	27	23	2,42	29	25	2,54	30	26
0,75	2,49	29	25	2,65	31	27	2,79	33	28	2,93	35	30
0,85	2,83	33	29	3,00	36	31	3,16	37	32	3,32	39	34
1,00	3,33	39	34	3,53	42	36	3,72	44	38	3,90	46	40
1,10	3,66	43	37	3,88	46	39	4,09	48	42	4,29	51	44
1,20	3,99	47	41	4,24	50	43	4,47	53	46	4,68	55	48
1,25	4,16	49	42	4,40	52	45	4,65	55	47	4,88	58	50
1,35	4,49	53	46	4,76	56	48	5,02	59	51	5,27	62	54
1,50	4,98	59	51	5,29	63	54	5,58	66	57	5,85	69	60
1,65	5,49	65	56	5,82	69	59	6,14	73	63	6,44	76	66
1,75	5,82	69	59	6,18	73	63	6,51	77	66	6,83	81	70
2,00	6,65	79	68	7,06	84	72	7,45	88	76	7,81	93	80
2,25	7,49	89	76	7,94	94	81	8,38	99	85	8,78	104	89
2,50	8,32	99	85	8,82	105	90	9,31	110	95	9,76	116	99
2,75	9,15	108	93	9,71	115	99	10,24	121	104	10,73	127	109
3,00	9,98	118	102	10,59	126	108	11,16	132	114	11,71	139	119
3,50	11,65	138	119	12,35	146	126	13,03	154	133	13,66	162	139
4,00	13,31	158	136	14,12	167	144	14,89	176	152	15,62	185	159
4,50	14,97	177	153	15,88	188	162	16,75	198	171	17,57	208	179
5,00	16,64	197	170	17,65	209	180	18,62	221	190	19,52	231	199
5,50	18,30	217	187	19,42	230	198	20,48	243	209	21,47	255	219
6,00	19,97	237	204	21,18	251	216	22,34	265	228	23,42	278	239
6,50	21,63	256	220	22,94	272	234	24,20	287	247	25,37	301	259
7,00	23,29	276	237	24,71	293	252	26,06	309	266	27,33	324	279
7,50	24,96	296	254	26,47	314	270	27,92	331	285	29,28	347	298
8,00	26,62	316	271	28,24	335	288	29,79	353	304	31,23	370	318
8,50	28,28	335	288	30,00	356	306	31,65	375	323	33,18	393	338
9,00	29,95	355	305	31,77	377	324	33,59	398	342	35,14	417	358

The table applies to oil with a viscosity of 4,4 mm<sup>2</sup>/s (cSt) with density 830 kg/m<sup>3</sup>.

## Burner with preheater

Consider that on preheating the oil quantity is reduced by 5-20% depending on.

- Rise in temperature at the nozzle
- Design of nozzle
- Capacity (high capacity - small difference)

# NOZZLE TABLE

Pump pressure bar

Gph	12			13			14			15		
	kg/h	kW	Mcal/h	kg/h	kW	Mcal/h	kg/h	kW	Mcal/h	kg/h	kW	Mcal/h
0,40	1,63	19	17	1,70	20	17	1,76	21	18	1,82	21	18
0,50	2,04	24	21	2,12	25	22	2,20	26	22	2,28	27	23
0,60	2,45	29	25	2,55	30	26	2,64	31	27	2,73	32	28
0,65	2,65	31	27	2,75	33	28	2,86	34	29	2,96	35	30
0,75	3,08	36	31	3,18	38	32	3,30	39	34	3,42	40	35
0,85	3,47	41	35	3,61	43	37	3,74	44	38	3,87	46	39
1,00	4,08	48	42	4,24	50	43	4,40	52	45	4,56	54	46
1,10	4,48	53	46	4,67	55	48	4,84	57	49	5,01	59	51
1,20	4,89	58	50	5,09	60	52	5,29	63	54	5,47	65	56
1,25	5,10	60	52	5,30	63	54	5,51	65	56	5,70	68	58
1,35	5,50	65	56	5,73	68	58	5,95	70	61	6,15	73	63
1,50	6,11	72	62	6,36	75	65	6,60	78	67	6,83	81	70
1,65	6,73	80	69	7,00	83	71	7,27	86	74	7,52	89	77
1,75	7,14	85	73	7,42	88	76	7,71	91	79	7,97	94	81
2,00	8,18	97	83	8,49	101	86	8,81	104	90	9,12	108	93
2,25	9,18	109	94	9,55	113	97	9,91	117	101	10,26	122	105
2,50	10,19	121	104	10,61	126	108	11,01	130	112	11,39	135	116
2,75	11,21	133	114	11,67	138	119	12,11	144	123	12,53	148	128
3,00	12,23	145	125	12,73	151	130	13,21	157	135	13,67	162	139
3,50	14,27	169	145	14,85	176	151	15,42	183	157	15,95	189	163
4,00	16,31	193	166	16,97	201	173	17,62	209	180	18,23	216	186
4,50	18,35	217	187	19,10	226	195	19,82	235	202	20,51	243	209
5,00	20,39	242	208	21,22	251	216	22,03	261	225	22,79	270	232
5,50	22,43	266	229	23,34	277	238	24,23	287	247	25,07	297	256
6,00	24,47	290	249	25,46	302	260	26,43	313	269	27,49	326	280
6,50	26,51	314	270	27,58	327	281	28,63	339	292	29,63	351	302
7,00	28,55	338	291	29,70	352	303	30,84	366	314	31,91	378	325
7,50	30,59	363	312	31,83	377	324	33,04	392	337	34,19	405	349
8,00	32,63	387	333	33,95	403	346	35,25	418	359	36,47	432	372
8,50	34,66	411	353	36,07	428	368	37,45	444	382	38,74	459	395
9,00	36,71	435	374	38,19	453	389	39,65	470	404	41,02	486	418

The table applies to oil with a viscosity of 4,4 mm<sup>2</sup>/s (cSt) with density 830 kg/m<sup>3</sup>.

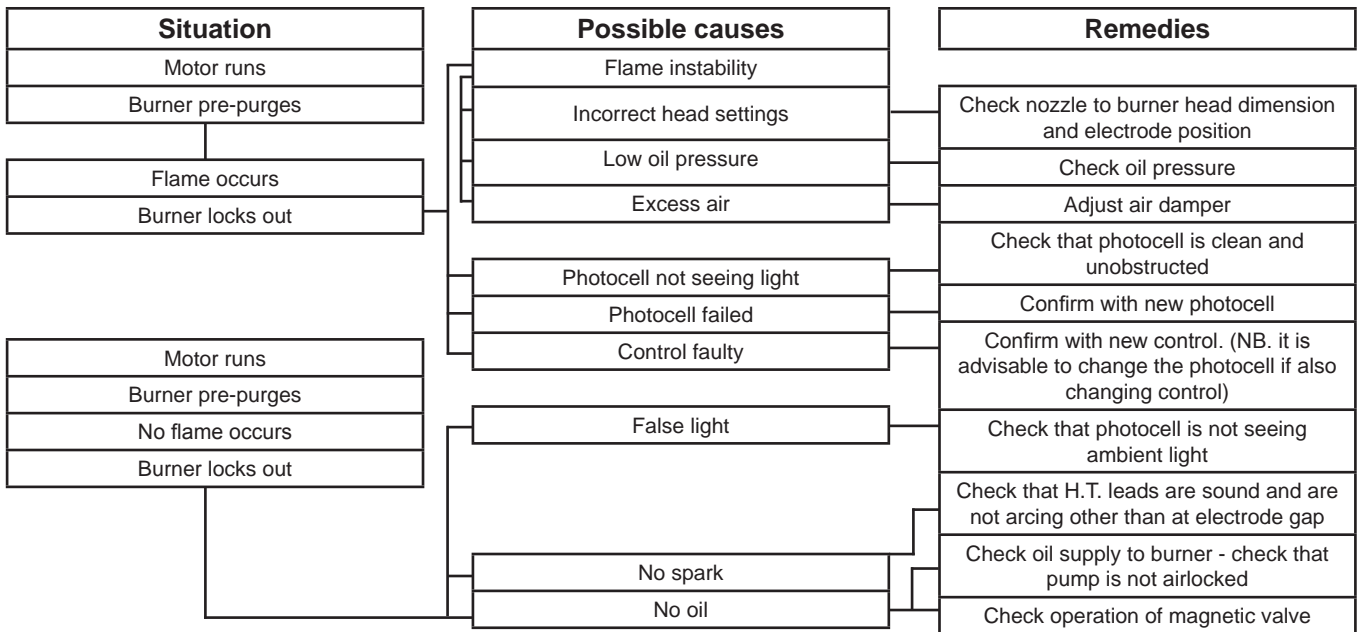
## Burner with preheater

Consider that on preheating the oil quantity is reduced by 5-20% depending on.

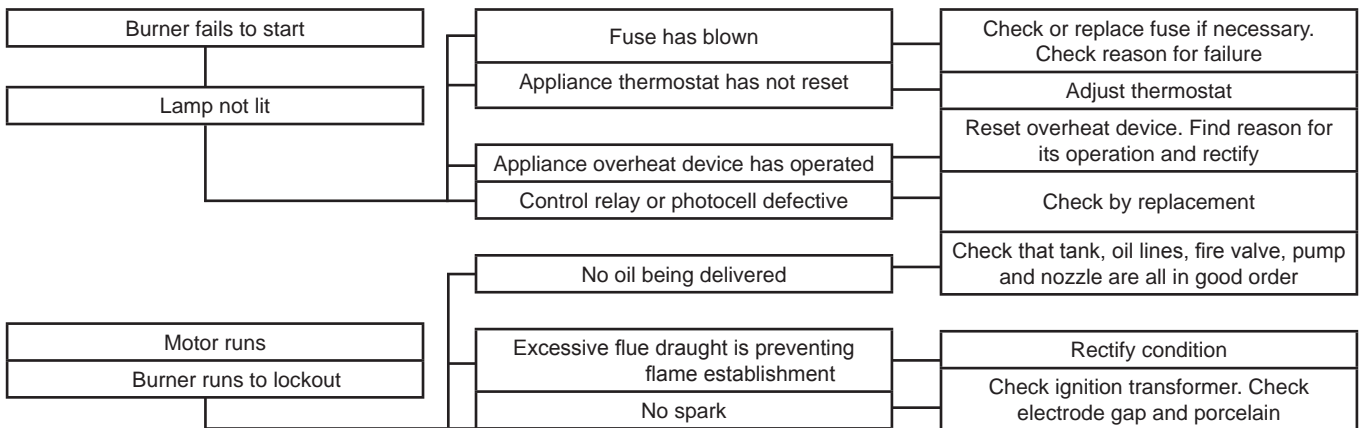
- Rise in temperature at the nozzle
- Design of nozzle
- Capacity (high capacity - small difference)

# FAULT LOCATION

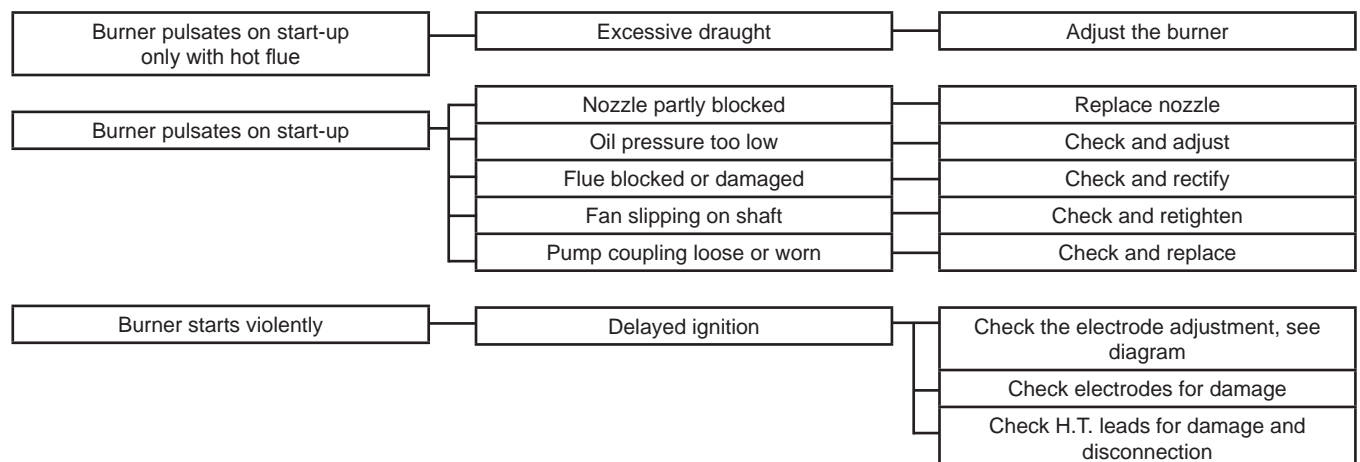
## Burner fails to start



## Burner fails to start after normal operation



## Delayed ignition, burners starts violently



# DECLARATION OF CONFORMITY

---

Manufacturer: Enertech AB, Bentone Division  
Street address: Näsvägen  
SE-341 34 Ljungby  
Address: P.O. Box 309  
SE-341 26 Ljungby  
Sweden  
Product: Oil burner  
Type: BF1, B 1, B 2, B 9, B 10, B 11, B 20, B 30, B 40, B 45,  
B 50, B 55, B 60, B 65, B 70, B 80, ST 97, ST 108,  
ST 120, ST133, ST 146

Certifikat TÜV Süddeutschland  
Certifikat Nr Burner  
XXXXXXXX BF1  
0111110535004 B1  
0207110535005 B2  
021198p15001 ST97, ST108, ST120, ST133, ST146  
02119815002 B9, B10, B11  
02119815003 B20, B30, B40, B45  
02119815004 B50, B60, B70, B80  
040588622001 B55  
040588622002 B65

Enertech AB declares under sole responsibility that the above mentioned product is in conformity with the following standards or other normative documents.

Document: EN 267

and follows the provisions of applicable parts in the following EU Directives:

89/336/EEC Electromagnetic compatibility  
73/23/EEC Low-voltage directive  
89/392/EEC Machinery directive  
92/42/EEC Efficiency directive

In that the burner conforms to the above mentioned standards it is awarded the CE mark.

Enertech AB, Bentone Division is quality certified according to SS-EN ISO 9001:2000

Ljungby 080115

**ENERTECH AB**  
Sven-Olov Lövgren

