

# LG/NG/NGX35



## *IDEA Series Gas burners*

**MANUAL OF INSTALLATION - USE - MAINTENANCE**

***CIB UNIGAS***

**BURNERS - BRUCIATORI - BRULERS - BRENNER - QUEMADORES - ГОРЕЛКИ**

# TABLE OF CONTENTS

<b>WARNINGS</b> .....	<b>3</b>
<b>PART I: INSTALLATION</b> .....	<b>5</b>
GENERAL FEATURES .....	5
<i>How to interpret the burner's "Performance curve"</i> .....	6
<i>Specifications</i> .....	7
<i>Country and usefulness gas categories</i> .....	8
<i>Overall dimensions</i> .....	9
<i>Performance Curves</i> .....	10
<i>Pressure in the network - gas rate curves</i> .....	10
MOUNTINGS AND CONNECTIONS .....	11
<i>Fitting the burner to the boiler</i> .....	11
<i>Matching the burner to the boiler</i> .....	11
<i>Installing the gas train</i> .....	12
<i>Electrical connections</i> .....	13
<i>Power supply without neutral</i> .....	13
ADJUSTING THE AIR AND GAS FLOW RATES .....	14
<i>Combustion head pressure curves vs. the gas flow rate</i> .....	14
<i>Measuring the gas pressure in the combustion head</i> .....	14
<i>Pressure in the combustion head - gas flow rate diagrams</i> .....	15
<i>Gas MULTIBLOC control and safety group DUNGS MBC 65-DLE</i> .....	16
<i>Setting the startup gas flow rate</i> .....	16
<i>Setting the gas flow rate</i> .....	16
<i>Adjusting the maximum flow rate valve</i> .....	16
<i>Gas Valves Group DUNGS MB-DLE 405 (1/2" gas train burners)</i> .....	17
<i>Adjusting the air flow rate</i> .....	18
<i>Adjusting the air and gas pressure switches</i> .....	18
<i>Calibration of air pressure switch (only for single stage burners)</i> .....	18
<i>Calibration of minimum gas pressure switch</i> .....	18
<i>Adjusting the combustion head</i> .....	19
<b>PART II: OPERATION</b> .....	<b>20</b>
OPERATION .....	20
<b>PART III: MAINTENANCE</b> .....	<b>21</b>
ROUTINE MAINTENANCE .....	21
<i>Removing the filter in the MULTIBLOC DUNGS MB-DLE 405..412</i> .....	21
<i>Disassembling the burner plate for the fan maintenance</i> .....	22
<i>Correct electrodes positioning</i> .....	23
<i>Checking the detection current</i> .....	23
<i>Seasonal stop</i> .....	23
TROUBLESHOOTING .....	24
<i>External air intake kit assembly (when provided)</i> .....	25
ELECTRICAL WIRING DIAGRAM .....	26
BURNER EXPLODED VIEW .....	28
SPARE PARTS .....	30
<b>APPENDIX</b> .....	<b>31</b>

## WARNINGS

**THIS MANUAL IS SUPPLIED AS AN INTEGRAL AND ESSENTIAL PART OF THE PRODUCT AND MUST BE DELIVERED TO THE USER.**

**INFORMATION INCLUDED IN THIS SECTION ARE DEDICATED BOTH TO THE USER AND TO PERSONNEL FOLLOWING PRODUCT INSTALLATION AND MAINTENANCE.**

**THE USER WILL FIND FURTHER INFORMATION ABOUT OPERATING AND USE RESTRICTIONS, IN THE SECOND SECTION OF THIS MANUAL. WE HIGHLY RECOMMEND TO READ IT.**

**CAREFULLY KEEP THIS MANUAL FOR FUTURE REFERENCE.**

### 1) GENERAL INTRODUCTION

- The equipment must be installed in compliance with the regulations in force, following the manufacturer's instructions, by qualified personnel.
- Qualified personnel means those having technical knowledge in the field of components for civil or industrial heating systems, sanitary hot water generation and particularly service centres authorised by the manufacturer.
- Improper installation may cause injury to people and animals, or damage to property, for which the manufacturer cannot be held liable.
- Remove all packaging material and inspect the equipment for integrity.

In case of any doubt, do not use the unit - contact the supplier.

The packaging materials (wooden crate, nails, fastening devices, plastic bags, foamed polystyrene, etc), should not be left within the reach of children, as they may prove harmful.

- Before any cleaning or servicing operation, disconnect the unit from the mains by turning the master switch OFF, and/or through the cut-out devices that are provided.
- Make sure that inlet or exhaust grilles are unobstructed.
- In case of breakdown and/or defective unit operation, disconnect the unit. Make no attempt to repair the unit or take any direct action.

Contact qualified personnel only.

Units shall be repaired exclusively by a servicing centre, duly authorised by the manufacturer, with original spare parts.

Failure to comply with the above instructions is likely to impair the unit's safety.

To ensure equipment efficiency and proper operation, it is essential that maintenance operations are performed by qualified personnel at regular intervals, following the manufacturer's instructions.

- When a decision is made to discontinue the use of the equipment, those parts likely to constitute sources of danger shall be made harmless.
- In case the equipment is to be sold or transferred to another user, or in case the original user should move and leave the unit behind, make sure that these instructions accompany the equipment at all times so that they can be consulted by the new owner and/or the installer.
- For all the units that have been modified or have options fitted then original accessory equipment only shall be used.
- This unit shall be employed exclusively for the use for which it is meant. Any other use shall be considered as improper and, therefore, dangerous.

The manufacturer shall not be held liable, by agreement or otherwise, for damages resulting from improper installation, use and failure to comply with the instructions supplied by the manufacturer.

### 2) SPECIAL INSTRUCTIONS FOR BURNERS

- The burner should be installed in a suitable room, with ventilation openings complying with the requirements of the regulations in force, and sufficient for good combustion.
- Only burners designed according to the regulations in force should be used.
- This burner should be employed exclusively for the use for which it was designed.
- Before connecting the burner, make sure that the unit rating is the same as delivery mains (electricity, gas oil, or other fuel).
- Observe caution with hot burner components. These are, usually, near to the flame and the fuel pre-heating system, they become hot during the unit operation and will remain hot for some time after the burner has stopped.

When the decision is made to discontinue the use of the burner, the user

shall have qualified personnel carry out the following operations:

- a Remove the power supply by disconnecting the power cord from the mains.
- b) Disconnect the fuel supply by means of the hand-operated shut-off valve and remove the control handwheels from their spindles.

#### Special warnings

- Make sure that the burner has, on installation, been firmly secured to the appliance, so that the flame is generated inside the appliance firebox.
- Before the burner is started and, thereafter, at least once a year, have qualified personnel perform the following operations:
  - a set the burner fuel flow rate depending on the heat input of the appliance;
  - b set the flow rate of the combustion-supporting air to obtain a combustion efficiency level at least equal to the lower level required by the regulations in force;
  - c check the unit operation for proper combustion, to avoid any harmful or polluting unburnt gases in excess of the limits permitted by the regulations in force;
  - d make sure that control and safety devices are operating properly;
  - e make sure that exhaust ducts intended to discharge the products of combustion are operating properly;
  - f on completion of setting and adjustment operations, make sure that all mechanical locking devices of controls have been duly tightened;
  - g make sure that a copy of the burner use and maintenance instructions is available in the boiler room.
- In case of a burner shut-down, reset the control box by means of the RESET pushbutton. If a second shut-down takes place, call the Technical Service, **without trying to RESET further**.
- The unit shall be operated and serviced by qualified personnel only, in compliance with the regulations in force.

### 3) GENERAL INSTRUCTIONS DEPENDING ON FUEL USED

#### 3a) ELECTRICAL CONNECTION

- For safety reasons the unit must be efficiently earthed and installed as required by current safety regulations.
  - It is vital that all safety requirements are met. In case of any doubt, ask for an accurate inspection of electricians by qualified personnel, since the manufacturer cannot be held liable for damages that may be caused by failure to correctly earth the equipment.
  - Qualified personnel must inspect the system to make sure that it is adequate to take the maximum power used by the equipment shown on the equipment rating plate. In particular, make sure that the system cable cross section is adequate for the power absorbed by the unit.
  - No adaptors, multiple outlet sockets and/or extension cables are permitted to connect the unit to the electric mains.
  - An omnipolar switch shall be provided for connection to mains, as required by the current safety regulations.
  - The use of any power-operated component implies observance of a few basic rules, for example:
    - do not touch the unit with wet or damp parts of the body and/or with bare feet;
    - do not pull electric cables;
    - do not leave the equipment exposed to weather (rain, sun, etc.) unless expressly required to do so;
    - do not allow children or inexperienced persons to use equipment;
  - The unit input cable shall not be replaced by the user.
- In case of damage to the cable, switch off the unit and contact qualified personnel to replace.

When the unit is out of use for some time the electric switch supplying all the power-driven components in the system (i.e. pumps, burner, etc.) should be switched off.

### 3b) FIRING WITH GAS, LIGHT OIL OR OTHER FUELS

#### GENERAL

- The burner shall be installed by qualified personnel and in compliance with regulations and provisions in force; wrong installation can cause injuries to people and animals, or damage to property, for which the manufacturer cannot be held liable.
- Before installation, it is recommended that all the fuel supply system pipes be carefully cleaned inside, to remove foreign matter that might impair the burner operation.
- Before the burner is commissioned, qualified personnel should inspect the following:
  - a the fuel supply system, for proper sealing;
  - b the fuel flow rate, to make sure that it has been set based on the firing rate required of the burner;
  - c the burner firing system, to make sure that it is supplied for the designed fuel type;
  - d the fuel supply pressure, to make sure that it is included in the range shown on the rating plate;
  - e the fuel supply system, to make sure that the system dimensions are adequate to the burner firing rate, and that the system is equipped with all the safety and control devices required by the regulations in force.
- When the burner is to remain idle for some time, the fuel supply tap or taps should be closed.

#### SPECIAL INSTRUCTIONS FOR USING GAS

Have qualified personnel inspect the installation to ensure that:

- a the gas delivery line and train are in compliance with the regulations and provisions in force;
  - b all gas connections are tight;
  - c the boiler room ventilation openings are such that they ensure the air supply flow required by the current regulations, and in any case are sufficient for proper combustion.
- Do not use gas pipes to earth electrical equipment.
  - Never leave the burner connected when not in use. Always shut the gas valve off.
  - In case of prolonged absence of the user, the main gas delivery valve to the burner should be shut off.

#### Precautions if you can smell gas

- a do not operate electric switches, the telephone, or any other item likely to generate sparks;
  - b immediately open doors and windows to create an air flow to purge the room;
  - c close the gas valves;
  - d contact qualified personnel.
- Do not obstruct the ventilation openings of the room where gas appliances are installed, to avoid dangerous conditions such as the development of toxic or explosive mixtures.

### DIRECTIVES AND STANDARDS

#### *Gas burners*

##### European directives:

- Directive 90/396/CEE - Gas Appliances;
- Directive 2006/95/EC on low voltage;
- Directive 2004/108/CEE on electromagnetic compatibility

##### Harmonised standards :

- UNI EN 676 (Gas Burners);
- CEI EN 60335-1(Household and similar electrical appliances - Safety. Part 1: General requirements;
- EN 50165 (Electrical equipment of non-electric appliances for household and similar purposes. Safety requirements.

#### *Light oil burners*

##### European directives:

- Directive 2006/95/EC on low voltage;
- Directive 2004/108/CEE on electromagnetic compatibility

##### Harmonised standards :

- CEI EN 60335-1(Household and similar electrical appliances - Safety. Part 1: General requirements;
- EN 50165 (Electrical equipment of non-electric appliances for household and similar purposes. Safety requirements.

##### National standards :

- UNI 7824: Monobloc nebulizer burners for liquid fuels. Characteristics and test methods

#### *Heavy oil burners*

##### European directives:

- Directive 2006/95/EC on low voltage;
- Directive 2004/108/CEE on electromagnetic compatibility

##### Harmonised standards :

- CEI EN 60335-1 Household and similar electrical appliances - SafetyPart 1: General requirements;
- EN 50165 Electrical equipment of non-electric appliances for household and similar purposes. Safety requirements.

##### National standards :

- UNI 7824: Monobloc nebulizer burners for liquid fuels. Characteristics and test methods

#### *Gas - Light oil burners*

##### European directives:

- Directive 90/396/CEE Gas Appliances;
- Directive 2006/95/EC on low voltage;
- Directive 2004/108/CEE on electromagnetic compatibility

##### Harmonised standards :

- UNI EN 676 Gas Burners
- CEI EN 60335-1(Household and similar electrical appliances - Safety. Part 1: General requirements;
- EN 50165 Electrical equipment of non-electric appliances for household and similar purposes. Safety requirements.

##### National standards :

- UNI 7824: Monobloc nebulizer burners for liquid fuels. Characteristics and test methods

#### *Gas - Heavy oil burners*

##### European directives:

- Directive 90/396/CEE - Gas Appliances;
- Directive 2006/95/EC on low voltage;
- Directive 2004/108/CEE on electromagnetic compatibility

##### Harmonised standards :

- UNI EN 676 (Gas Burners);
- CEI EN 60335-1(Household and similar electrical appliances - Safety. Part 1: General requirements;
- EN 50165 Electrical equipment of non-electric appliances for household and similar purposes. Safety requirements.

##### National standards :

- UNI 7824: Monobloc nebulizer burners for liquid fuels. Characteristics and test methods

**PART I: INSTALLATION****GENERAL FEATURES**

This series burners can be arranged to use external combustion air on request. In this case the burner will be supplied with a watertight and airtight air intake, that can be linked outside the installation room by means of an extensible duct. Combustion air can be easily set by the adjusting screw without removing the cover. The cover, easily removable, is heat resistant (ABS material). The easy-readable index allows a fine adjustment of the comburent air, without removing the burner cover. All components can be fitted into a backing plate which can be easily moved and attached to special fixings within the burner to make maintenance easier.

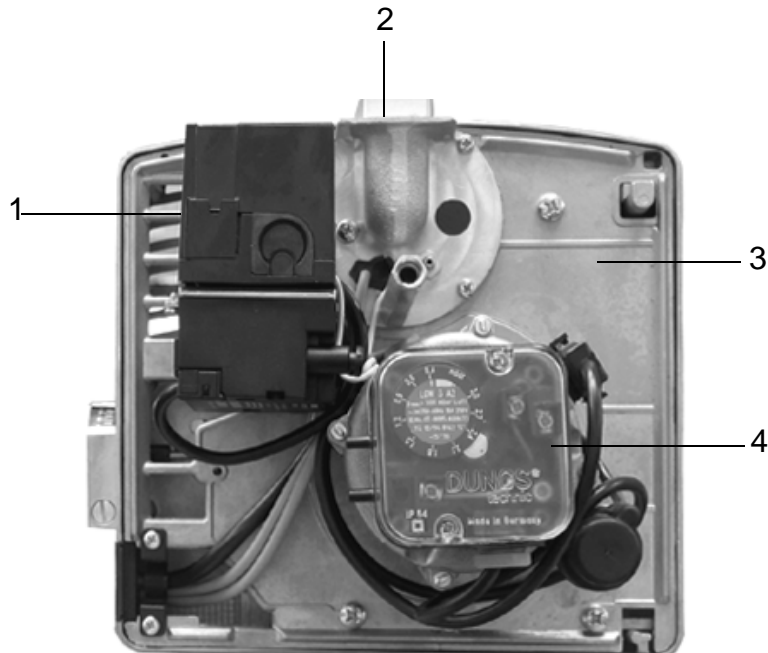


Fig. 1

**Keys**

- 1 Control box
- 2 Combustion head (inside)
- 3 Components plate
- 4 Air pressure switch

The gas coming from the supply line, passes through the valves group provided with filter and stabiliser. This one forces the pressure in the utilisation limits. Fuel and comburent are routed into separated ways as far as the zone of flame generation (combustion chamber). The air (comburent) and fuel (gas, gas oil, heavy oil) are forced into the combustion chamber.

**How to interpret the burner's "Performance curve"**

To check if the burner is suitable for the boiler to which it must be installed, the following parameters are needed:

- furnace input, in kW or kcal/h ( $kW = kcal/h / 860$ );
- backpressure (data are available on the boiler's ID plate or in the user's manual).

Example:

Furnace input: kW 600

Backpressure: mbar 4

In the "Performance curve" diagram (Fig. 2), draw a vertical line matching the furnace input value and an horizontal line matching the backpressure value. The burner is suitable if the intersection point A is inside the performance curve.

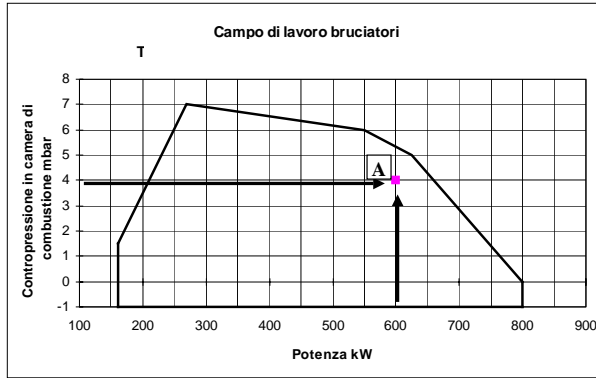


Fig. 2

Data are referred to standard conditions: atmospheric pressure at 1013mbar, ambient temperature at 15°C

**Checking the proper gas train size**

To check the proper gas train size, it is necessary to know the available gas pressure value upstream the burner gas valve. Then subtract the backpressure. The result is called **p<sub>gas</sub>**. Draw a vertical line matching the furnace input value (600kW, in the example), quoted on the x-axis, as far as intercepting the network pressure curve, according to the installed gas train (DN65, in the example). From the interception point, draw an horizontal line as far as matching, on the y-axis, the value of pressure necessary to get the requested furnace input. This value must be lower or equal to the **p<sub>gas</sub>** value, calculated before.

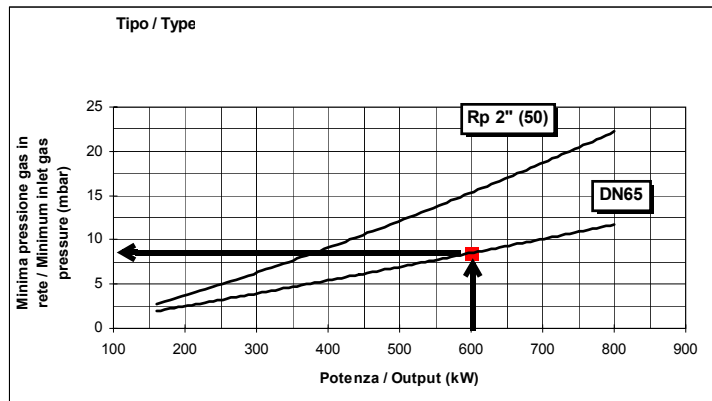


Fig. 3

**Burner model identification**

Burners are identified by burner type and model. Burner model identification is described as follows.

Type	NG35	Model	M-	TN.	S.	.	*	A.	O.	15
(1)	(2)	(3)	(4)	(5)	(6)	(7)	(8)			
(1) BURNER TYPE	NG - Natural gas burner LG - L.P.G. burner NGX - Low NOx burners									
(2) FUEL	M - Natural gas      L - LPG									
(3) OPERATION	TN - Single stage									
(4) BLAST TUBE	S - standard      L - Extended									
(5) DESTINATION COUNTRY	* - see data plate									
(6) BURNER VERSION	A - Standard Z - with external air intake									
(7) EQUIPMENT	0 = 2 gas valves 1 = 2 Gas valves + gas proving system (option)									
(8) GAS CONNECTION	10 = Rp3/8      15 = Rp1/2									

**Specifications**

BURNERS		NG35 M-.TN..10	LG35 L-.TN..10	NGX35 M-.TN..10
Output	min.- max. kW	20 - 41	20 - 41	27 - 41
Fuel		Natural gas	L.P.G.	Natural gas
Gas category		(see next paragraph)	I <sub>3B/P</sub>	(see next paragraph)
Gas rate	min.- max. (Stm <sup>3</sup> /h)	2.1 - 4.3	0.8 - 1.6	2.9 - 4.3
Gas pressure	min. - max mbar	(Note2) - 65		
Power supply		230V 1N ac 50 Hz		
Total power consumption	W	380		
Electric motor	W	75		
Protection		IP40		
Approx. weight	kg	12.5		
Valves size - Gas connection		3/8" - Rp1/2		
Operation		Single stage		
Operating temperature	°C	-10 ÷ +50		
Storage Temperature	°C	-20 ÷ +60		
Working service *		Intermittent		

BURNERS		NG35 M-.TN..15	LG35 L-.TN..15	NGX35 M-.TN..15
Output	min.- max. kW	20 - 41	20 - 41	27 - 41
Fuel		Natural gas	L.P.G.	Natural gas
Gas category		(see next paragraph)	I <sub>3B/P</sub>	(see next paragraph)
Gas rate	min.- max. (Stm <sup>3</sup> /h)	2.1 - 4.3	0.8 - 1.6	2.9 - 4.3
Gas pressure	min. - max mbar	(Note2) - 360		
Power supply		230V 1N ac 50 Hz		
Total power consumption	W	380		
Electric motor	W	75		
Protection		IP40		
Approx. weight	kg	12.5		
Valves size - Gas connection		1/2" - Rp1/2		
Operation		Single stage		
Operating temperature	°C	-10 ÷ +50		
Storage Temperature	°C	-20 ÷ +60		
Working service *		Intermittent		

<b>Note1:</b>	All gas flow rates are referred to $\text{Stm}^3/\text{h}$ (1013 mbar pressure, 15 °C temperature) and are valid for G20 gas (nett calorific value $H_i= 34.02 \text{ MJ/Stm}^3$ ); for L.P.G. (nett calorific value $H_i= 93.5 \text{ MJ/Stm}^3$ )
<b>Note2:</b>	Maximum gas pressure = 65mbar (with Rp3/8 - Rp1/2 and Dungs MBC065DLE valves) = 360mbar (with Rp1/2 and Dungs MB-DLE 405 valves) Minimum gas pressure = see gas curves.

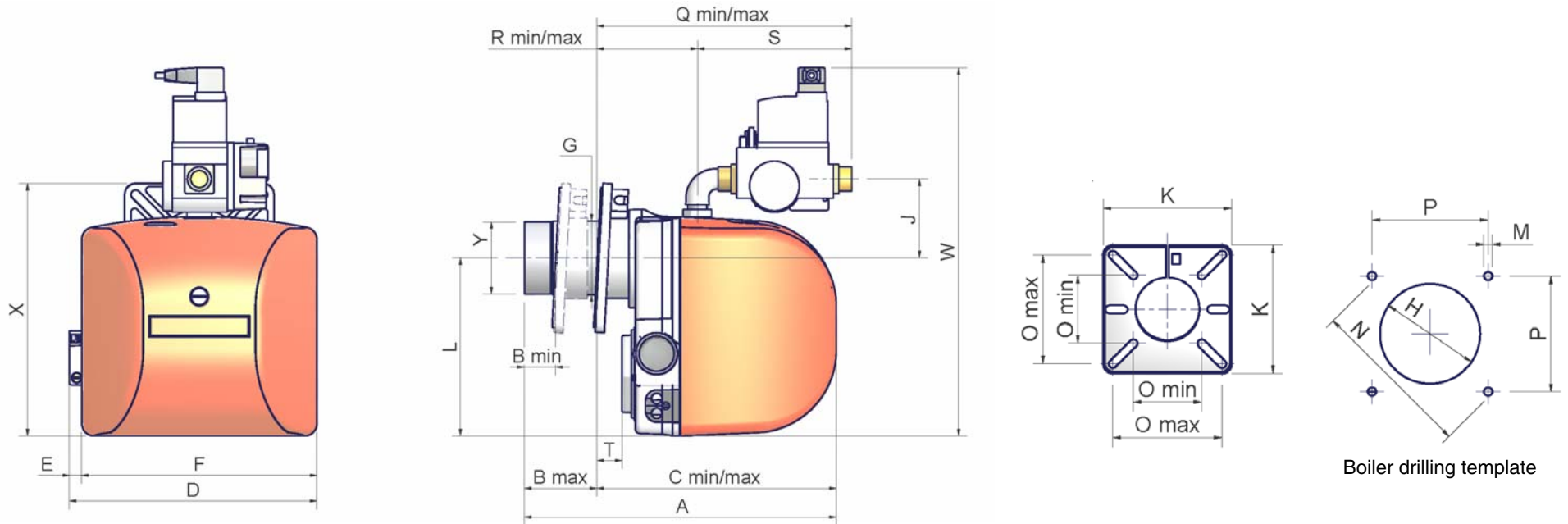
\* NOTE ON THE WORKING SERVICE: the SIEMENS LME.. control box automatically stops after 24h of continuous working. The control box immediately starts up, automatically.

### Country and usefulness gas categories

GAS CATEGORY	COUNTRY																								
	AT	ES	GR	SE	FI	IE	HU	IS	NO	CZ	DK	GB	IT	PT	CY	EE	LV	SI	MT	SK	BG	LT	RO	TR	CH
I <sub>2H</sub>	AT	ES	GR	SE	FI	IE	HU	IS	NO	CZ	DK	GB	IT	PT	CY	EE	LV	SI	MT	SK	BG	LT	RO	TR	CH
I <sub>2E</sub>	LU	PL	-	-	-	-	-	-	-	-	-	-	-	-	-	-	-	-	-	-	-	-	-	-	-
I <sub>2E(R)B</sub>	BE	-	-	-	-	-	-	-	-	-	-	-	-	-	-	-	-	-	-	-	-	-	-	-	-
I <sub>2L</sub>	NL	-	-	-	-	-	-	-	-	-	-	-	-	-	-	-	-	-	-	-	-	-	-	-	-
I <sub>2ELL</sub>	DE	-	-	-	-	-	-	-	-	-	-	-	-	-	-	-	-	-	-	-	-	-	-	-	-
I <sub>2Er</sub>	FR	-	-	-	-	-	-	-	-	-	-	-	-	-	-	-	-	-	-	-	-	-	-	-	-



Overall dimensions (mm)



6

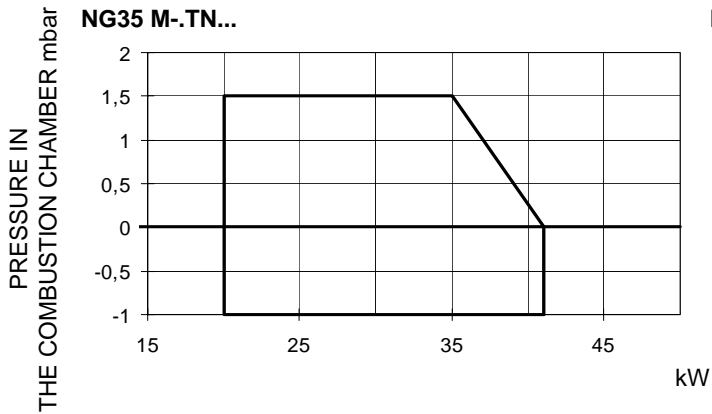
		A	B		C		D	E	F	G	H	J	K	L	M	N	O		P	Q		R		S	Tmin.	W	X	Y
			min.	max.	min.	max.											min.	max.		min.	max.	min.	max.					
<b>NG35 S</b>	(1/2")	338	34	78	260	305	269	14	255	Ø80	Ø95	86	162	194	M8	155	86	138	110	277	322	109	154	168	27	400	275	Ø78,5
<b>NG35 L</b>	(1/2")	416	34	156	260	383	269	14	255	Ø80	Ø95	86	162	194	M8	155	86	138	110	277	400	109	232	168	27	400	275	Ø78,5
<b>NGX35 S</b>	(1/2")	338	58	98	240	280	269	14	255	Ø80	Ø95	86	145	194	M8	153	96	120	108	257	297	89	129	168	7	400	266	Ø80
<b>NGX35 L</b>	(1/2")	338	58	178	160	280	269	14	255	Ø80	Ø95	86	145	194	M8	153	96	120	108	257	297	89	129	168	7	400	266	Ø80

S: standard blast tube

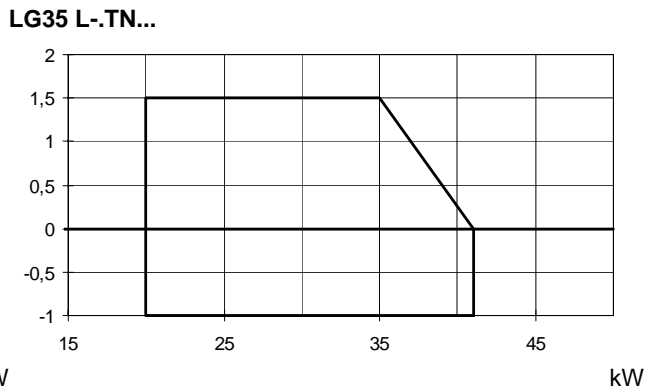
L: extended blast tube

**Performance Curves**

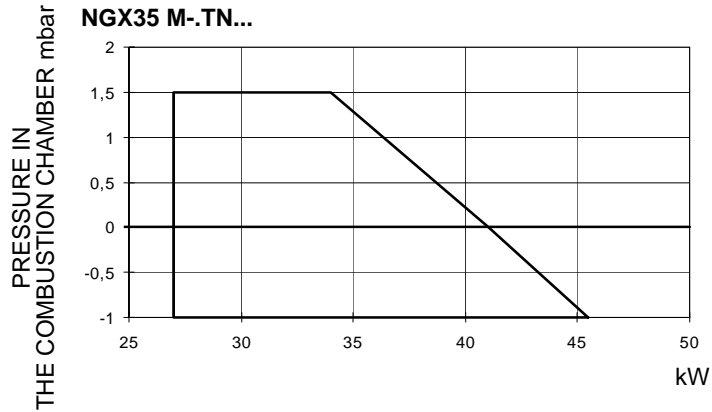
**Natural Gas Burners**



**L.P.G. Burners**

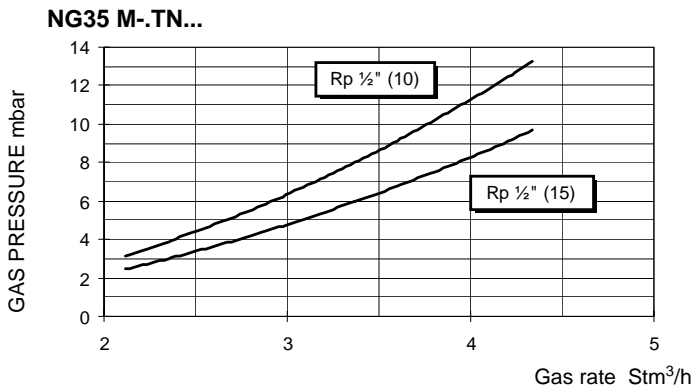


**Low NOx Natural Gas Burners**

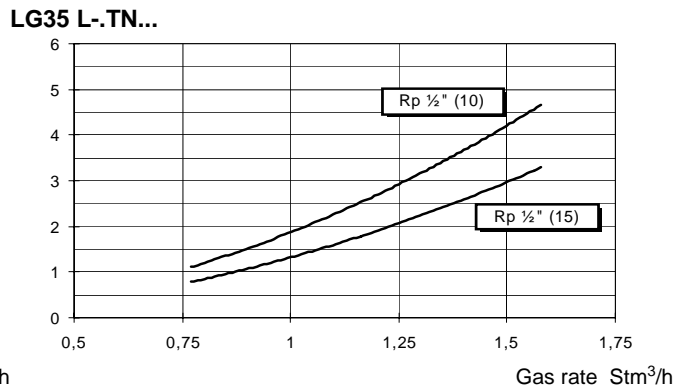


**Pressure in the network - gas rate curves**

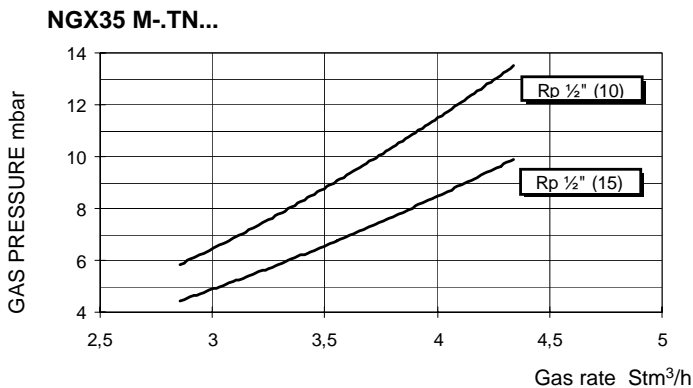
**Natural Gas Burners**



**L.P.G. Burners**



**Low NOx Natural Gas Burners**



## MOUNTINGS AND CONNECTIONS

### Packing

Burners are dispatched in cardboard packages whose dimensions are:

- burners with no external air intake: **290mm x 260mm x 490mm (L x P x H)**
- burners with external air inlet provided: **290mm x 330mm x 490mm**

Packing cases of this kind are affected by humidity and are not suitable for stacking. The following are placed in each packing case.

- 1 burner with detached gas train;
- 1 gasket to be inserted between the burner and the boiler;
- 1 envelope containing this manual.

To get rid of the burner's packing and in the event of scrapping of the latter, follow the procedures laid down by current laws on disposal of materials.

### Fitting the burner to the boiler

To install the burner into the boiler, proceed as follows:

- 1 on the boiler's door hole, fix the 4 stud bolts according to the drilling template showed on paragraph "Overall dimensions"
- 2 fix the flange of the burner to the boiler;
- 3 install the burner into the boiler;
- 4 according to the reference showed on Fig. 5, fix the flange to the boiler's stud bolts **D**, without completely fastening;
- 5 loosen the **VS** screws in order to let the blast tube move back and forth;
- 6 install the burner making the blast tube move into the flange as to reach the right position according to the boiler/utilisation
- 7 fasten the **VS** screws;
- 8 tighten the 4 stud bolts **D** completely;
- 9 seal the space between the blast tube and the refractory lining with appropriate insulating material (ceramic fibre cord or refractory cement).

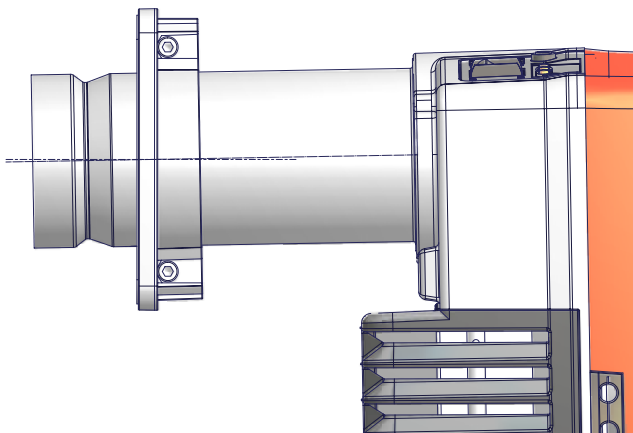


Fig. 4

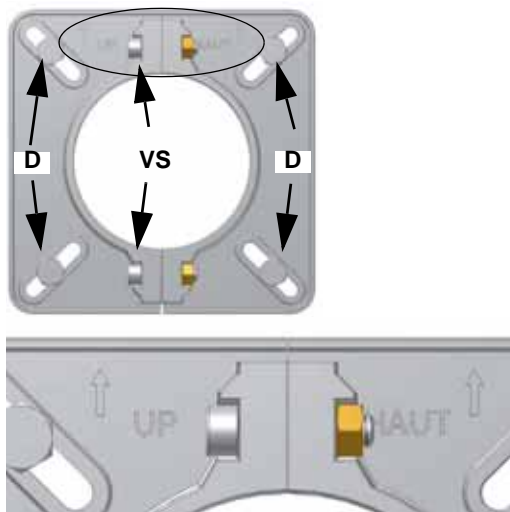


Fig. 5

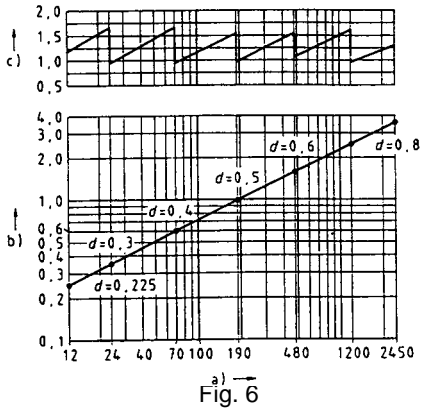
### Matching the burner to the boiler

The burners described in this manual have been tested with combustion chambers that comply with EN676 regulation and whose dimensions are described in the diagram. In case the burner must be coupled with boilers with a combustion chamber smaller in diameter or shorter than those described in the diagram, please contact the supplier, to verify that a correct matching is possible, with respect of the application involved. To correctly match the burner to the boiler verify the necessary input and the pressure in combustion chamber are included in the burner performance curve; otherwise the choice of the burner must be revised consulting the burner manufacturer. To choose the blast tube length follow the instructions of the boiler manufacturer. In absence of these consider the following:

- Cast-iron boilers, three pass flue boilers (with the first pass in the rear part): the blast tube must protrude no more than 100 mm into the combustion chamber.
- Pressurised boilers with flame reversal: in this case the blast tube must penetrate at least 50 - 100 mm into combustion chamber in respect to the tube bundle plate.

The length of the blast tubes does not always allow this requirement to be met, and thus it may be necessary to use a suitably-sized

spacer to move the burner backwards or to design a blast tube that suits the utilisation (please, contact the manufacturer).



**Key**

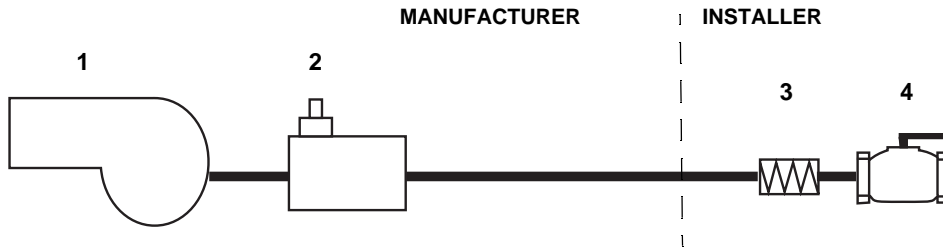
- a) Heat output in kW
- b) Length of the flame tube in meters
- c) Flame tube firing intensity in MW/m<sup>3</sup>
- d) Combustion chamber diameter (m)

Fig. 6 - Firing intensity, diameter and length of the test flame tube as a function of the heat input in kW.

**Installing the gas train**

	<b>ATTENTION:</b> BEFORE EXECUTING THE CONNECTIONS TO THE GAS PIPE NETWORK, BE SURE THAT THE MANUAL CUTOFF VALVES ARE CLOSED. READ CAREFULLY THE "WARNINGS" CHAPTER AT THE BEGINNING OF THIS MANUAL.
--	--

The following diagram shows the gas train components which are included in the delivery and those which must be fitted by the customer. The diagram complies with regulations in force.




**Key**

- 1 Burner
- 2 Multibloc valves group: Multibloc DUNGS (2 gas valves + gas pressure switch + filter + pressure governor)
- 3 Bellow joint
- 4 Manual cutoff valve

Once the train is installed, connect the gas valves group plug.

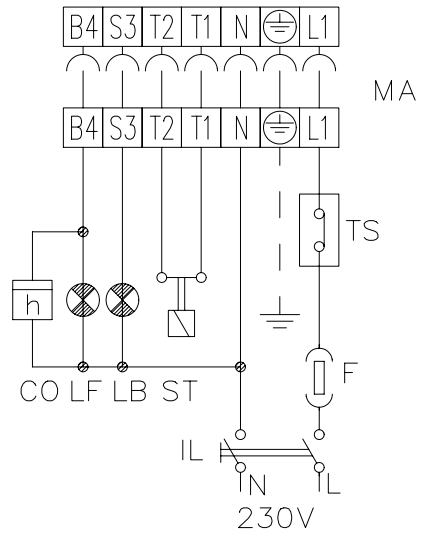
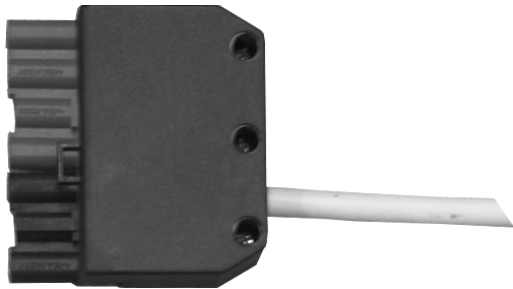
	<b>ATTENTION:</b> once the gas train is mounted according to the diagram, the gas proving test must be performed, according to the procedure set by the laws in force.
--	--

**Electrical connections**

 **RESPECT THE BASIC SAFETY RULES. MAKE SURE OF THE CONNECTION TO THE EARTHING SYSTEM. DO NOT REVERSE THE PHASE AND NEUTRAL CONNECTIONS. FIT A DIFFERENTIAL THERMAL MAGNET SWITCH ADEQUATE FOR CONNECTION TO THE MAINS. STRICTLY OBSERVE THE DATA PLATE.**

 **WARNING: if the cable that connects the thermostats and the control box should be longer than 3 meters, insert a sectioning relay following the attached electrical wiring diagram..**

To electrically connect the burner to the mains, find the burner plug.  
The power supply connector diagram is shown in figure.

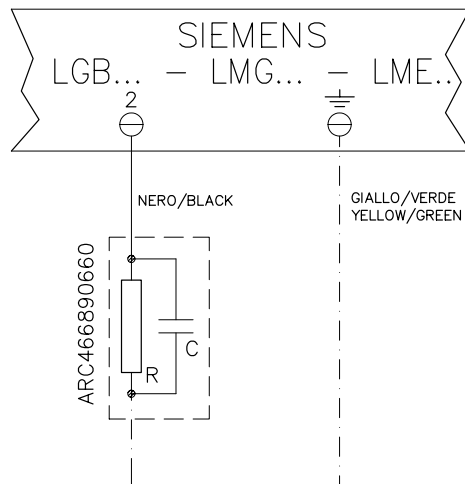


- Key**
- CO Time counter
  - F Fuse
  - IL Main switch
  - LB Burner lockout indicator light
  - LF Indicator light for burner operation
  - MA Power supply terminal block
  - N Neutral
  - TS Safety boiler thermostat/pressure switch


**Power supply without neutral**

If the burner power supply is 230V three-phase or 230V phase-phase (without a neutral), as far as the Siemens LME2... control box, the RC Siemens RC466890660 filter must be inserted between terminal 2 and the earth terminal on the board.

- Key**
- C - Capacitor (22nF/250V)
  - LME - Siemens control box
  - R - Resistor (1Mohm)
  - RC466890660 - RC Siemens filter




## ADJUSTING THE AIR AND GAS FLOW RATES

	<b>ATTENTION:</b> before starting the burner up, be sure that the manual cutoff valves are open and check that the pressure upstream the gas train complies the value quoted on paragraph "Technical specifications". Be sure that the mains switch is closed.
	<b>ATTENTION:</b> During commissioning operations, do not let the burner operate with insufficient air flow (danger of formation of carbon monoxide); if this should happen, make the gas decrease slowly until the normal combustion values are achieved.
	<b>WARNING: NEVER LOOSE THE SEALED SCREWS! OTHERWISE, THE DEVICE WARRANTY WILL BE INVALIDATE!</b>

While performing the air and fuel adjustment, check the flow rate, measuring it on the counter or, if it is not possible, checking the combustion head pressure by means of a differential pressure gauge as described on the next paragraph.

NOTE: The combustion tests must be carried out with the cover mounted on the burner.

	<b>IMPORTANT!</b> the combustion air excess must be adjusted according to the in the following chart:
---	---

Recommended combustion parameters		
Fuel	Recommended (%) CO <sub>2</sub>	Recommended (%) O <sub>2</sub>
Natural gas	9 ÷ 10	3 ÷ 4.8
LPG	11 ÷ 12	2.8 ÷ 4.3

### Combustion head pressure curves vs. the gas flow rate

Curves are referred to pressure= 0mbar in the combustion head!

The curves referred to the gas pressure in the combustion head, depending on the gas flow rate, are referred to the burner in the combustion stage (percentage of residual O<sub>2</sub> in the flues as showed in the "Recommended combustion values" table and CO in the standard limits). During this stage, the combustion head, the gas butterfly valve and the servocontrol are at the maximum opening. Refer to Fig. 7, showing the correct way to measure the gas pressure, considering the values of pressure in combustion chamber, surveyed by means of the pressure gauge or taken from the boiler's Technical specifications.

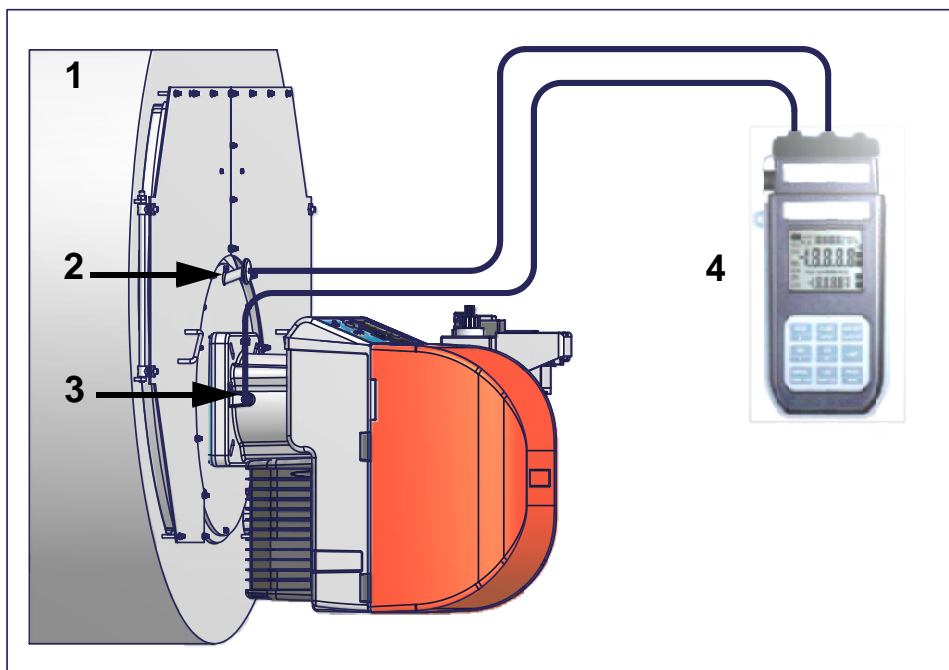


Fig. 7

#### Key

- 1 Boiler
- 2 Gas pressure outlet on the boiler
- 3 Gas pressure outlet on the butterfly valve
- 4 Differential pressure gauge

### Measuring the gas pressure in the combustion head

In order to measure the pressure in the combustion head, insert the pressure gauge probes: one into the boiler's pressure outlet (Fig. 7-2) to get the pressure in the combustion chamber and the other one into the butterfly valve's pressure outlet of the burner (Fig. 7-3). On the basis of the measured differential pressure, it is possible to get the maximum flow rate: in the pressure - rate curves (showed on the next paragraph), it is easy to get the burner output in kW or Stm<sup>3</sup>/h (quoted on the x axis) from the pressure measured in the com-

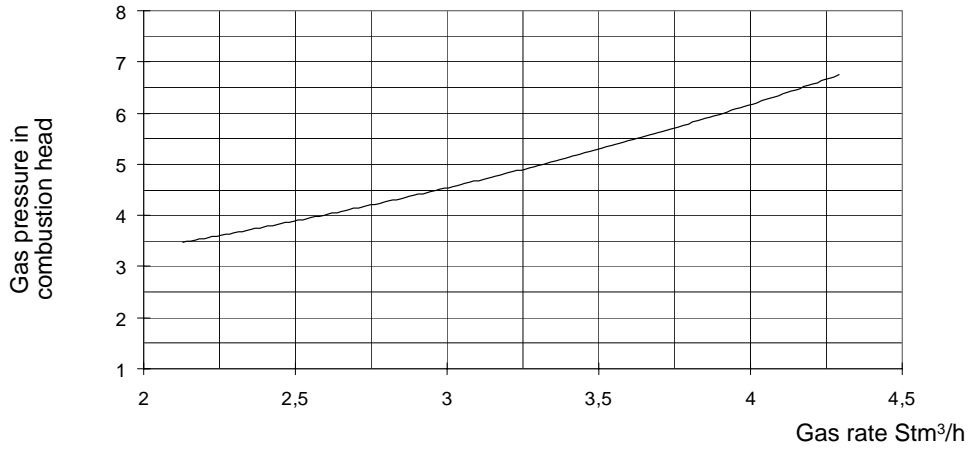
bustion head (quoted on the y axis).

**NOTE: THE PRESSURE-RATE CURVES ARE APPROXIMATE; FOR A PROPER SETTING OF THE GAS RATE, PLEASE REFER TO THE GAS METER READING.**

**Pressure in the combustion head - gas flow rate diagrams**

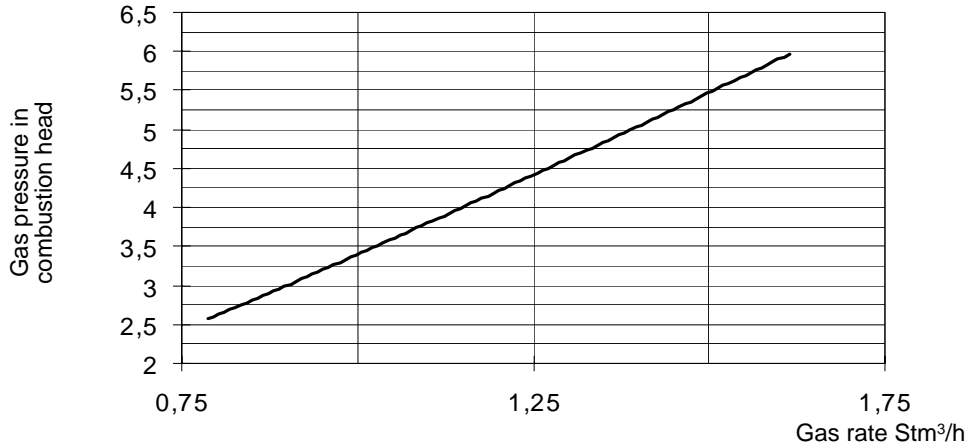
**Natural Gas Burners**

**NG35**



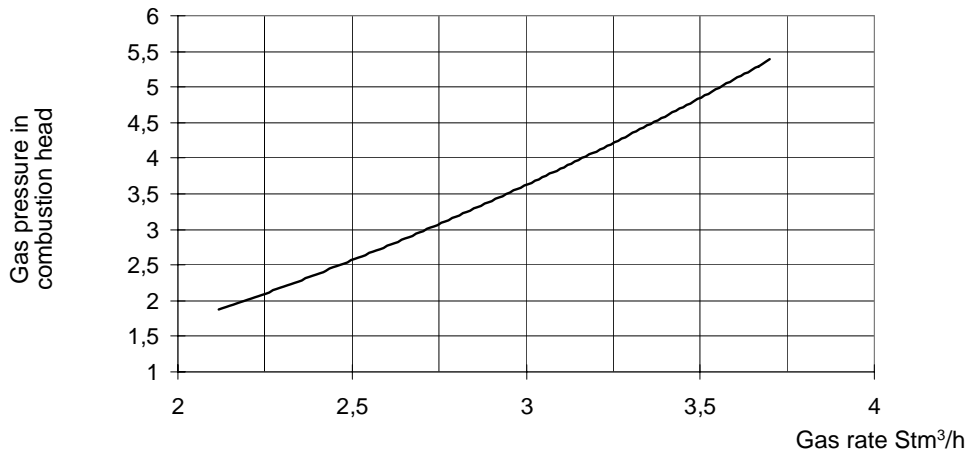
**L.P.G. Burners**

**LG35**



**Low NOx Natural Gas Burners**

**NGX35**



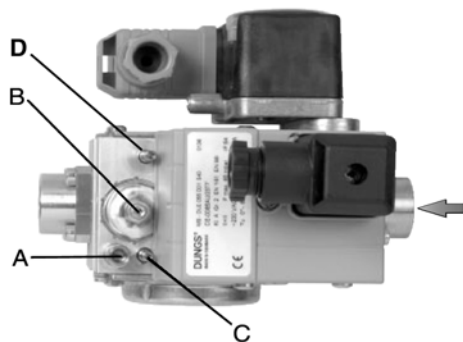
**Gas MULTIBLOC control and safety group DUNGS MBC 65-DLE**

Fig. 8

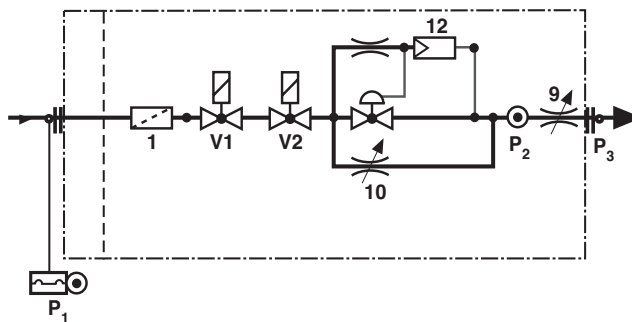


Fig. 9

**Keys**

- A. measuring nozzle P2 (Fig. 9) before valve D
- B. pressure regulator
- C. startup valve (no. 10 in Fig. 9)
- D. maximum flow rate valve (no. 9 in Fig. 9)

Filter, valves, regulator and pressure switch are combined into the DUNGS Gas-MultiBloc.

**Setting the startup gas flow rate**

To adjust the gas flow rate at the startup, proceed as follows:

- 1 slacken screw A (Fig. 8) in measuring nozzle. Connect pressure gauge.
- 2 Set to the minimum the pressure regulator by turning adjustment screw B (Fig. 8) anticlockwise .
- 3 Turn the burner on.

4 Adjust the flame during the startup phase by means of the bypass C (see Fig. 8 n. 10). Turning clockwise the gas flow decreases, turning counterclockwise the gas flow increases. Do not exceed in the start flow, otherwise the stabiliser B (Fig. 8) will be inefficacious.

**NOTE:** The adjustment screw C for the start flow restrictor is closed (factory setting). The start flow can be set by opening the restrictor up to approx. 80% of the main flow

**Setting the gas flow rate**

Act on the pressure regulator to achieve the desired gas flow rate, by means of the Adjustment screw B (Fig. 8): turn the screw clockwise to increase the flow rate, turn counter-clockwise to decrease it.

	<b>On completion of work on the MBC, perform a gas proving test.</b>
--	--

**Adjusting the maximum flow rate valve**

The adjustment screw D for the main flow restrictor is completely open (factory setting): do not change its position. Once the adjustments are accomplished, close screw A (Fig. 8) in the measuring nozzle.



**Gas Valves Group DUNGS MB-DLE 405 (1/2" gas train burners)**

**Multibloc MB-DLE**

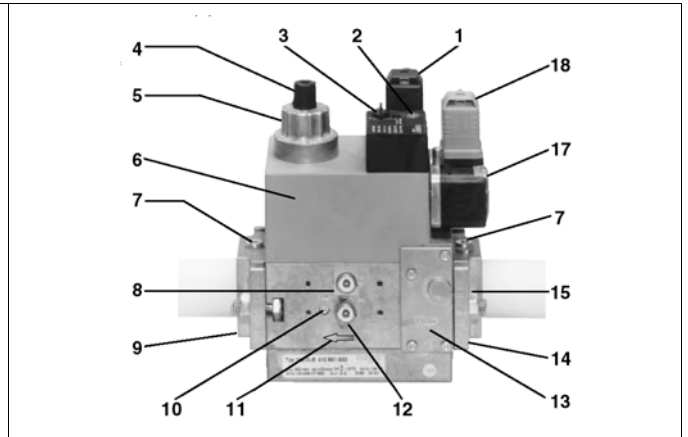
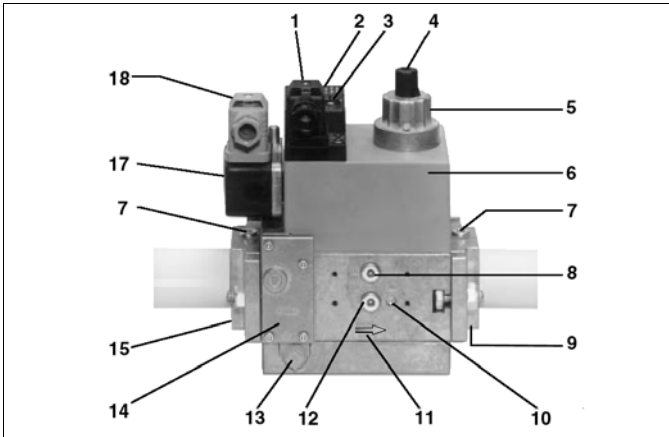
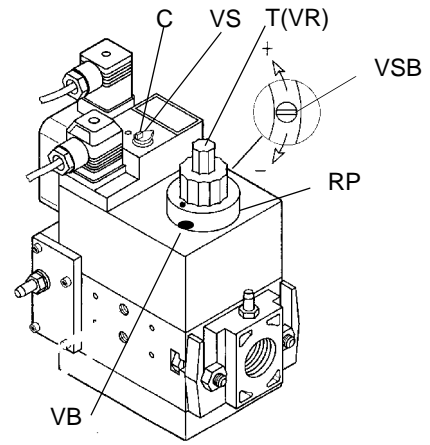
The multibloc unit is a compact unit consisting of two valves, gas pressure switch, pressure stabilizer and gas filter.

The valve is adjusted by means of the **RP** regulator after slackening the locking screw **VB** by a number of turns. By unscrewing the regulator **RP** the valve opens, screwing the valve closes. To set the fast opening remove cover **T**, reverse it upside down and use it as a tool to rotate screw **VR**. Clockwise rotation reduces start flow rate, anticlockwise rotation increases it.

Do not use a screwdriver on the screw **VR**!

The pressure stabilizer is adjusted by operating the screw **VS** located under the cover **C**. By screwing down the pressure is increased and by unscrewing it is reduced.

Note: the screw **VS** must be removed only in case of replacement of the coil.



**Key**

- |  |   |
|--|---|
| 1 Electrical connection for valves                                 | 9 Output flange   |
| 2 Operation display (optional)                                     | 10 Test point connection M4 downstream of valve 2             |
| 3 Pressure governor closing tap                                    | 11 Gas flow direction   |
| 4 Start setting cap  | 12 Test connection G 1/8 downstream of valve 1, on both sides |
| 5 Hydraulic brake and rate regulator                               | 13 Vent nozzle pressure regulator                             |
| 6 Coil   | 14 Filter (below cover)                                       |
| 7 Test point connection G 1/8                                      | 15 Input flange   |
| 8 Test point connection G 1/8 downstream of valve 1, on both sides | 17 Pressure switch  |
|  | 18 Pressure switch electric connection                        |

### **Adjusting the air flow rate**

The air rate is set by means of **V** screw. The air damper position is showed by the graduated scale **I**, where the symbol "0" shows the complete closed position of the air damper.

### **Adjusting the air and gas pressure switches**

The **air pressure switch** locks the control box if the air pressure is not the one requested. If it happens, unlock the burner by means of the control box unlock pushbutton, placed on the burner control panel.

The **gas pressure switches** check the pressure to avoid the burner operate when the pressure value is not in the requested pressure range.

### **Calibration of air pressure switch (only for single stage burners)**

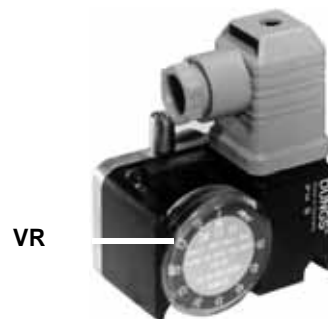
Calibration is carried out as follows:

- Remove the transparent plastic cap.
- Once air and gas setting have been accomplished, startup the burner.
- While the burner is operating, rotate slowly and clockwise the adjusting ring nut **VR**, until the burner locks; read the pressure value on the scale of the pressure switch and set it again to a value reduced by the 15%.
- Repeat the start-up cycle and check the burner runs properly.
- Refit the transparent plastic cover on the pressure switch.

### **Calibration of minimum gas pressure switch**

As for the gas pressure switch calibration, proceed as follows:

- Remove the transparent plastic cap.
- While the burner is operating at the maximum output, test the gas pressure on the pressure port of the minimum gas pressure switch.
- Slowly close the manual cutoff valve (placed upstream the pressure switch, see gas train installation diagram), until the detected pressure is reduced by 50%. Pay attention that the CO value in the flue gas does not increase.
- Check that the burner is operating correctly.
- Screw down the pressure switch adjusting ring nut until the burner stops.
- Fully open the manual cutoff valve.
- Refit the transparent plastic cover on the pressure switch.



### Adjusting the combustion head

In order to adjust the combustion head, proceed as follows:

- 1 remove the burner cover;
- 2 set the combustion head by means of a screwdriver, working on the screw **VRT**: rotate counterclockwise to move the combustion head forward, or rotate clockwise to move it backwards;
- 3 replace the burner cover.

The burner is adjusted in the factory with the combustion head in the position that refers to the "MAX" output. The maximum output setting refers to the "fully-ahead" position of the combustion head, as far as standard models (Fig. 10), and to "fully-backward" position for low NOx burners (Fig. 11). As for "fully-ahead" position, it means that the head is placed inside the boiler, "fully-backward" position means that the head is towards the operator. To remove the combustion head, please refer to par. "Removing and cleaning the combustion head" on page 22. As far as the reduced output operation, progressively move the combustion head towards the "MIN" position, rotating clockwise the **VRT** screw (see next figure). The **ID** index shows how much the combustion head moved.

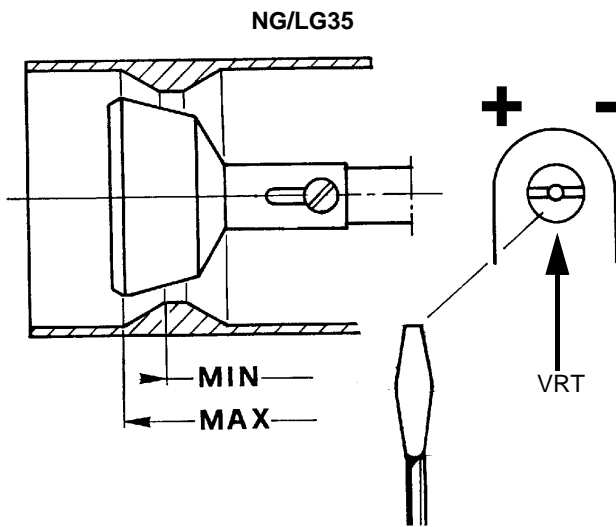
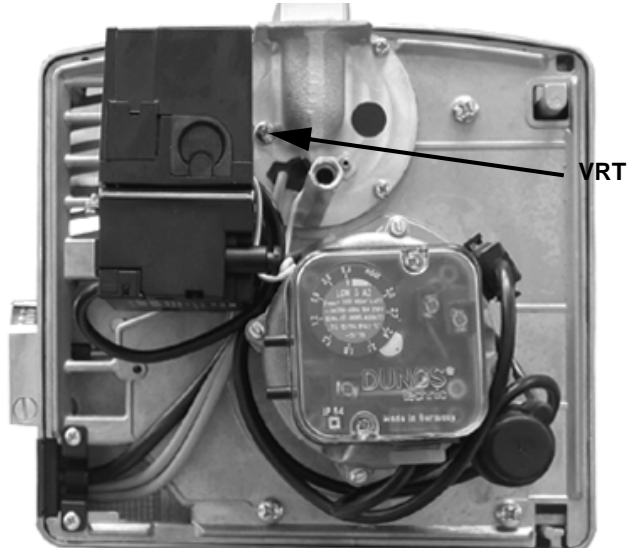


Fig. 10

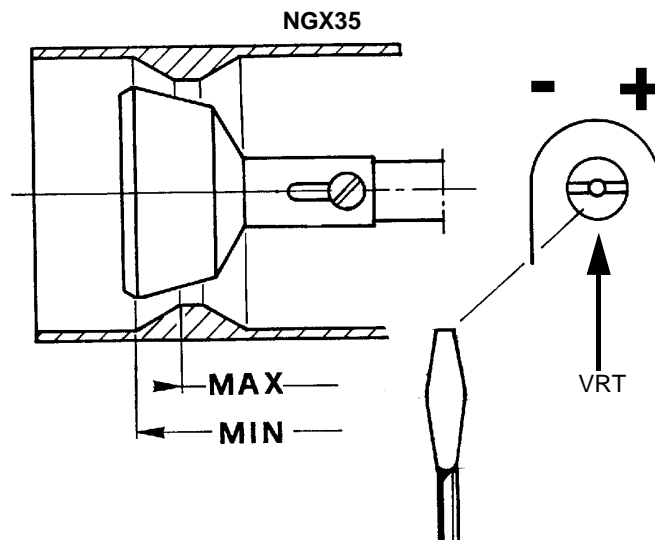


Fig. 11

## PART II: OPERATION

### LIMITATIONS OF USE

THE BURNER IS AN APPLIANCE DESIGNED AND CONSTRUCTED TO OPERATE ONLY AFTER BEING CORRECTLY CONNECTED TO A HEAT GENERATOR (E.G. BOILER, HOT AIR GENERATOR, FURNACE, ETC.), ANY OTHER USE IS TO BE CONSIDERED IMPROPER AND THEREFORE DANGEROUS.

THE USER MUST GUARANTEE THE CORRECT FITTING OF THE APPLIANCE, ENTRUSTING THE INSTALLATION OF IT TO QUALIFIED PERSONNEL AND HAVING THE FIRST COMMISSIONING OF IT CARRIED OUT BY A SERVICE CENTRE AUTHORIZED BY THE COMPANY MANUFACTURING THE BURNER.

A FUNDAMENTAL FACTOR IN THIS RESPECT IS THE ELECTRICAL CONNECTION TO THE GENERATOR'S CONTROL AND SAFETY UNITS (CONTROL THERMOSTAT, SAFETY, ETC.) WHICH GUARANTEES CORRECT AND SAFE FUNCTIONING OF THE BURNER.

THEREFORE, ANY OPERATION OF THE APPLIANCE MUST BE PREVENTED WHICH DEPARTS FROM THE INSTALLATION OPERATIONS OR WHICH HAPPENS AFTER TOTAL OR PARTIAL TAMPERING WITH THESE (E.G. DISCONNECTION, EVEN PARTIAL, OF THE ELECTRICAL LEADS, OPENING THE GENERATOR DOOR, DISMANTLING OF PART OF THE BURNER).

NEVER OPEN OR DISMANTLE ANY COMPONENT OF THE MACHINE.

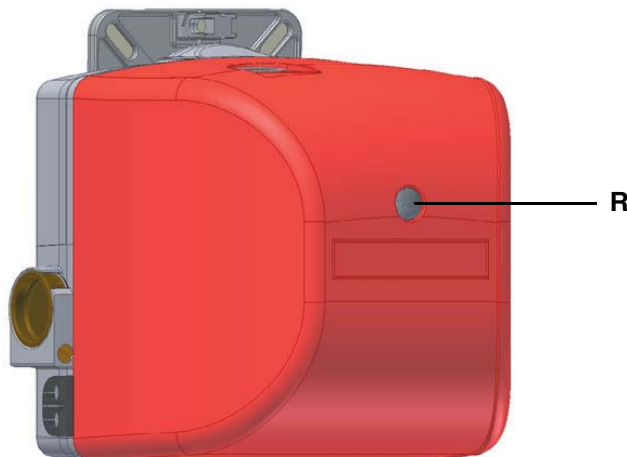
OPERATE ONLY THE MAIN SWITCH, WHICH THROUGH ITS EASY ACCESSIBILITY AND RAPIDITY OF OPERATION ALSO FUNCTIONS AS AN EMERGENCY SWITCH, AND ON THE RESET BUTTON.

IN CASE OF A BURNER SHUT-DOWN, RESET THE CONTROL BOX BY MEANS OF THE RESET PUSHBUTTON. IF A SECOND SHUT-DOWN TAKES PLACE, CALL THE TECHNICAL SERVICE, WITHOUT TRYING TO RESET FURTHER.

**WARNING:** DURING NORMAL OPERATION THE PARTS OF THE BURNER NEAREST TO THE GENERATOR (COUPLING FLANGE) CAN BECOME VERY HOT, AVOID TOUCHING THEM SO AS NOT TO GET BURNT.

### OPERATION

- 1 Turn on the burner by means of the boiler main switch.
- 2 Check the control box is not locked and, if necessary, reset it by means of the reset button **R**, on the burner cover.
- 3 Check the series of thermostats or pressure switches enables the burner to operate.
- 4 The burner starts and the control box drives the burner fan.
- 5 At the end of pre-purge phase the ignition transformer is energised, the gas solenoid valves are energised as well and the burner starts up.



## PART III: MAINTENANCE

At least once a year carry out the maintenance operations listed below. In the case of seasonal servicing, it is recommended to carry out the maintenance at the end of each heating season; in the case of continuous operation the maintenance is carried out every 6 months.



**WARNING: ALL OPERATIONS ON THE BURNER MUST BE CARRIED OUT WITH THE MAINS DISCONNECTED AND THE FUEL MANUAL CUTOFF VALVES CLOSED!**

**ATTENTION: READ CAREFULLY THE "WARNINGS" CHAPTER AT THE BEGINNING OF THIS MANUAL.**

## ROUTINE MAINTENANCE

- Check and clean the filter inside the gas valves group (see next paragraph);
- remove, check and clean the combustion head (see page 22);
- check the ignition and detection electrodes; clean and adjust and, if necessary, replace them (see page 22);
- in case of doubt, check the detection circuit once the burner has started up, referring to the diagram on page 23.

**NOTE: The check on the ignition and detection electrodes is carried out after removing the combustion head.**

**Removing the filter in the MULTIBLOC DUNGS MB-DLE 405..412**

- Check the filter at least once a year!
- Change the filter if the pressure difference between pressure connection 1 and 3 (Fig. 12-Fig. 13) is  $\Delta p > 10$  mbar.
- Change the filter if the pressure difference between pressure connection 1 and 3 (Fig. 12-Fig. 13) is twice as high compared to the last check.

You can change the filter without removing the fitting.

- 1 Interrupt the gas supply closing the on-off valve.
- 2 Remove screws 1 ÷ 4 using the Allen key n. 3 and remove filter cover 5 in Fig. 14.
- 3 Remove the filter 6 and replace with a new one.
- 4 Replace filter cover 5 and tighten screws 1 ÷ 4 without using any force and fasten.
- 5 Perform leakage and functional test,  $p_{max.} = 360$  mbar.

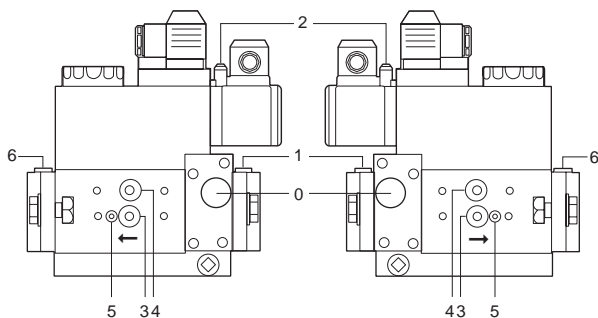


Fig. 12

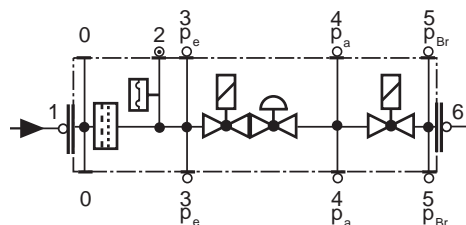


Fig. 13

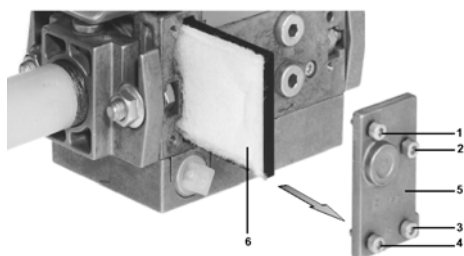


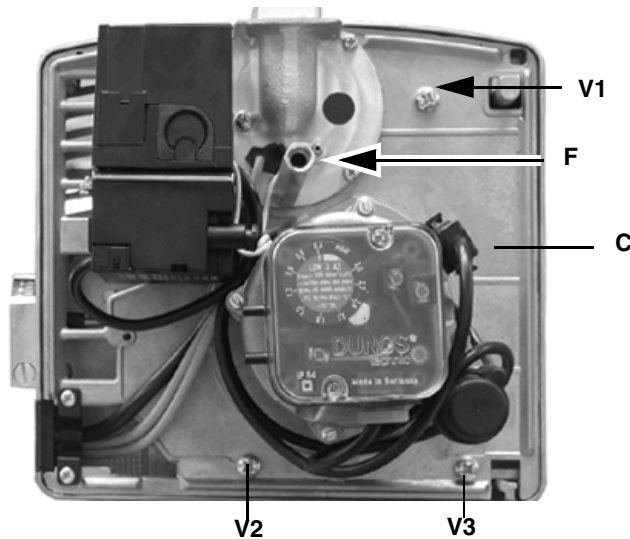
Fig. 14

### Disassembling the burner plate for the fan maintenance

To clean/replace the fan, follow the next procedure:

- 1 remove the burner plate **C** by unscrewing the **V1**, **V2**, **V3** screws and the **F** fixing pin;
- 2 hang the plate in one of the ways showed on figure in order to make maintenance operations easier.

**⚠ NOTE:** When re-assembling the component plate, make sure that the pin for the air damper "P" enters its housing "B" (see next picture).



### Removing the combustion head

To remove the combustion head, proceed as follows:

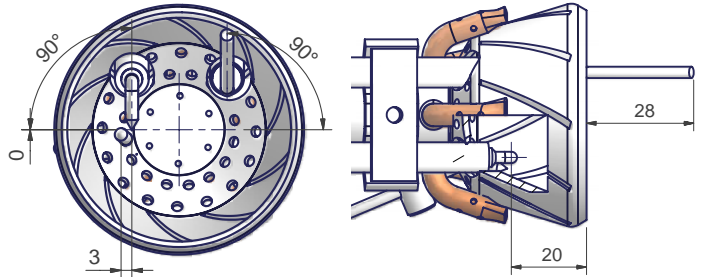
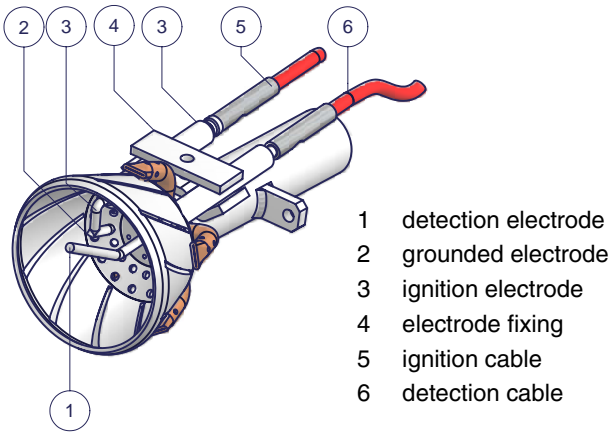
- 1 remove the burner cover;
- 2 unscrew the **VT** fixing screws;
- 3 disconnect the ignition cable **CA**; unscrew the fixing nuts **D** and shift the combustion head off its housing;
- 4 adjust the electrodes: to replace them, if necessary, disconnect the cables and unscrew **VE**;
- 5 remove the electrodes and replace them;
- 6 to clean the combustion head, use a vacuum cleaner; to scrape off the scale use a metallic brush;
- 7 replace all the items reversing the procedure.



**Correct electrodes positioning**

To guarantee a proper ignition, the measures indicated in must be respected.  
 Ensure the locking screw **VE** of the electrodes group is tight before refit the burner.

● **Standard burners (mm)**



● **Low NOx burners (mm)**

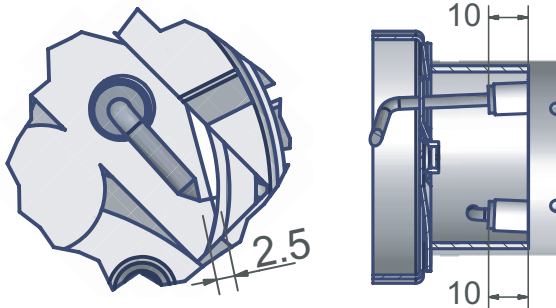


Fig. 15

**Checking the detection current**

If the burner locks, execute the following inspections. To measure the detection signals refer to the diagrams below. If the signal is less than the value shown, check the position of the detection electrode, the electrical contacts and if necessary replace the detection electrode.

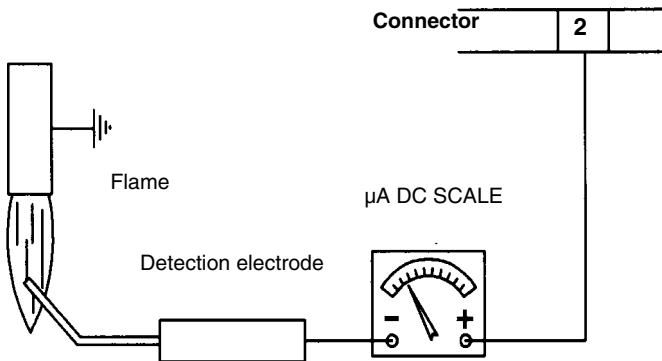


Fig. 16

Control box	Minimum detection signal
Siemens LME11	3 µA

**Seasonal stop**

To stop the burner in the seasonal stop, proceed as follows:

- 1 turn the burner's main switch to 0 (Off position)
- 2 disconnect the power mains
- 3 close the fuel cock of the supply line

**Burner disposal**

In case of disposal, follow the instructions according to the laws in force in your country about the "Disposal of materials".

# TROUBLESHOOTING

CAUSE	TROUBLE											
	THE BURNER DOESN'T START	CONTINUE WITH PRE-PURGE	DOESN'T START AND LOCK-OUT	DOESN'T START AND REPEATS THE CYCLE	STARTS AND REPEATS THE CYCLE	STARTS AND LOCK-OUT	THE FLAME MONITOR DEVICE DOESN'T GIVE CONSENT TO START	DOESN'T SWITCH TO HIGH FLAME	DOESN'T RETURN IN LOW FLAME	THE SERVO CONTROL IS LOCK AND VIBRATE	LOCK-OUT DURING OPERATION	URNS OF AND REPEATS CYCLE DURING OPERATION
MAIN SWITCH OPEN	●											
LACK OF GAS	●			●								
MAXIMUM GAS PRESSURE SWITCH DEFECTIVE (IF PROVIDED)	●		●									
THERMOSTATS/PRESSURE SWITCHES DEFECTIVE	●			●								●
OVERLOAD TRIPPED INTERVENTION	●											
AUXILIARIES FUSE INTERRUPTED	●											
CONTROL BOX FAULTY	●	●	●			●					●	
DEFECTIVE SERVOCONTROL (IF PROVIDED)	●	●	●				▲					
AIR PRESSURE SWITCH FAULT OR BAD SETTING	●					●	●				●	
MINIMUM GAS PRESSURE SWITCH DEFECTIVE OR GAS FILTER DIRTY	●			●	●		●					●
IGNITION TRANSFORMER FAULT			●									
IGNITION ELECTRODES BAD POSITION			●									
DETECTION ELECTRODE BAD POSITION						●					●	
BUTTERFLY VALVE BAD SETTING			●			●						
DEFECTIVE GAS GOVERNOR			●	●	●							●
GAS VALVE DEFECTIVE			●									
BAD CONNECTION OR DEFECTIVE HIGH/LOW FLAME THERMOSTAT OR PRESSURE SWITCH (IF PROVIDED)							▲	●	●	▲		
WRONG SETTING SERVO CONTROL CAM							●	●	●			
UV PROBE DIRTY OR DEFECTIVE (IF PROVIDED)			●			●					●	
PHASE-NEUTRAL INVERTED						▲						
PHASE-PHASE SUPPLY OR PRESENCE OF VOLTAGE ON THE NEUTRAL CONDUCTOR(*)						▲						

● = with any control box;

▲ = with only LGB2../LMG2../LME11/LME2..

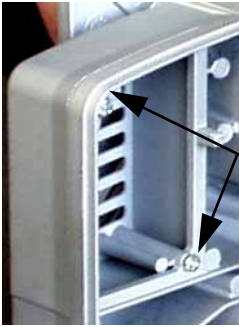
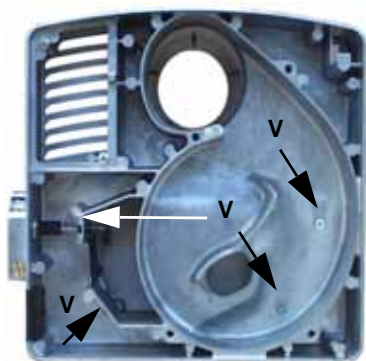
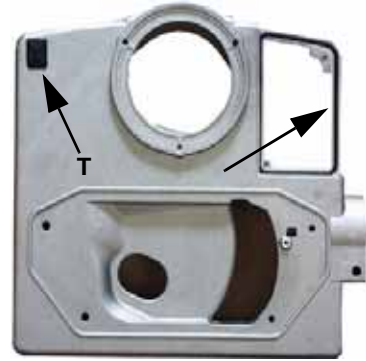
(\*) In such cases, insert the circuit SIEMENS "RC466890660" (See chapter "Electrical connections").

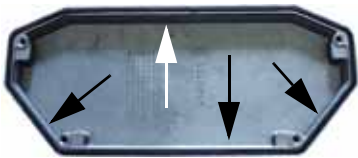
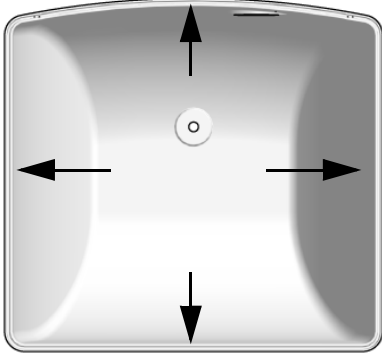



**External air intake kit assembly (when provided)**

The burner may be supplied with an external air intake with components contained in the kit provided separately (Code 3300023). Proceed as follow for assembly.

- Remove the burner cover.
- Disassemble the burner plate.

 <p>Remove the two V screws that fasten the grid to the volute and then remove the grid.</p>	 <p>Remove the air inlet by unscrewing the 4 V screws.</p>	 <p>Position the gasket supplied in the appropriate seat in the burner volute and insert the "T" volute plug.</p>
---	---	--

 <p>Position the gasket in the seat of the air inlet and reassemble the air inlet.</p>	 <p>Place the gasket in the seat of the burner cover.</p>	 <p>External air intake mounted on the burner.</p>
--	---	--

**⚠ It is recommended to cut the gasket obliquely in its splicing and gluing point in order to increase the contact surface.**

- Reassemble the burner component plate and cover.

**⚠ NOTE:** When re-assembling the component plate, make sure that the air damper pin "P" enters its housing "B" (see pag. 22).

**External air intake kit (Code 3300023 - spare parts list)**

Description	Quantity	Code
Gasket	2 meters	2110409
External air intake	1	1012101
Volute plug	1	2210214
Self-tapping air intake fixing screws	2	523104008

---

**ELECTRICAL WIRING DIAGRAM****Electrical diagram 01-318 Rev. 5 - complete key**

CO	Time counter
ER	Flame detection electrode
EV1	Gas electro-valve upstream (or valve group)
EV2	Gas electro-valve downstream (or valve group)
F	Fuse
IL	Main switch
L	Phase
LB	Burner lockout indicator light
LF	Indicator light for burner functioning
LME	SIEMENS control box
MA	Power supply terminal block
MV	Fan motor
N	Neutral
PA	Combustion air pressure switch
PG	Low gas pressure switch
ST	Series of thermostats or pressure switches
TA	Ignition transformer
TS	Safety boiler thermostat/pressure switch
VPS	DUNGS gas proving system (option)

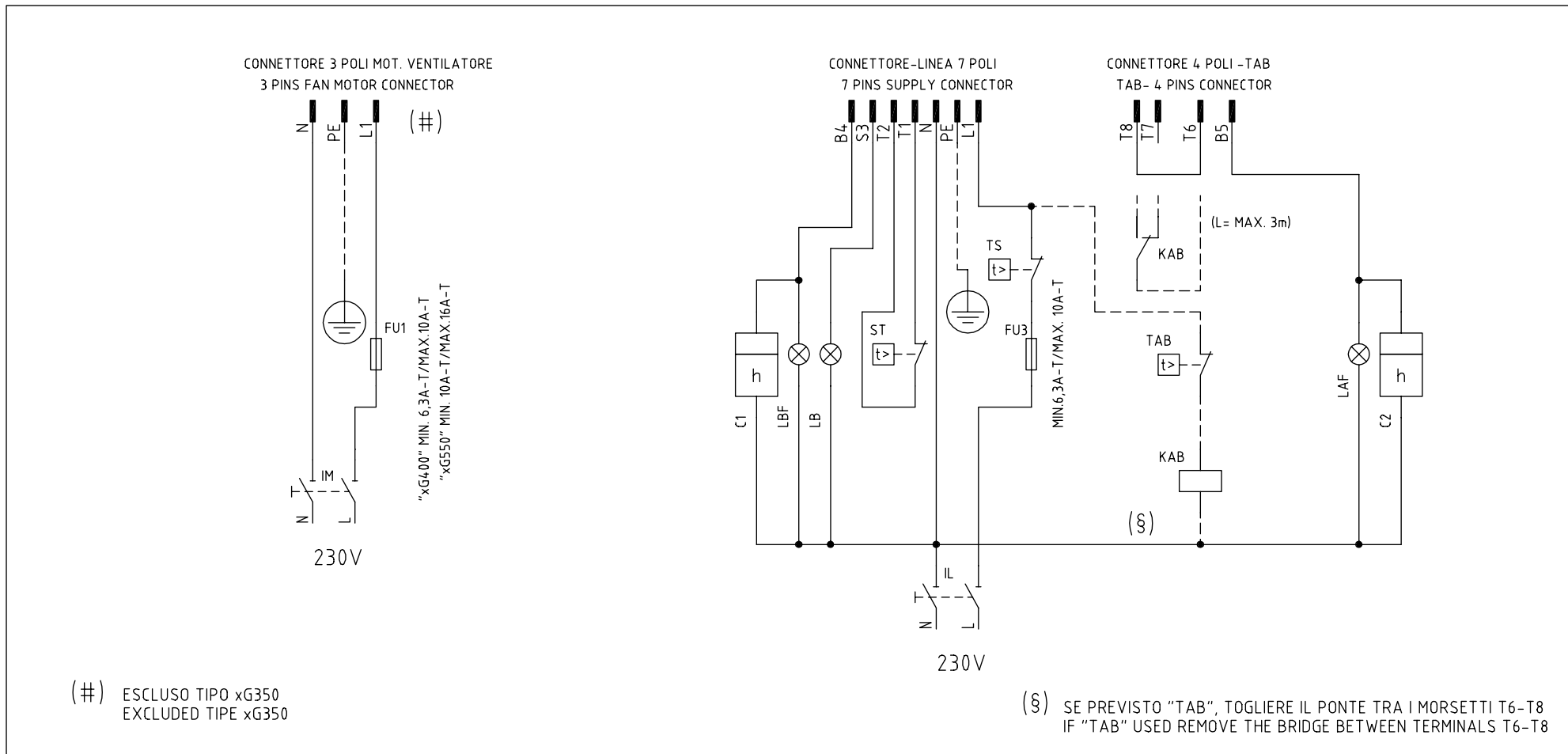
\*NOTE : Connection between terminals 7 and 9 only when SIEMENS LGB21.33 monitor device is used.

**WARNING:**

- 1 - Electrical supply 230V 50/60Hz 1N a.c.
- 2 - Do not reverse phase with neutral
- 3 - Ensure burner is properly earthed



VERSIONE ALTA-BASSA FIAMMA / PROGRESSIVO "PR" CON RELE' "KAB" DI SEZIONAMENTO  
 "PR" HIGH-LOW / PROGRESSIVE VERSION WITH "KAB" RELAY OF DISCONNECTED



Data	26/06/2008	PREC. /	FOGLIO 1
Revisione	00		
Dis. N.	TAB_1	SEGUE 2	TOTALE 1

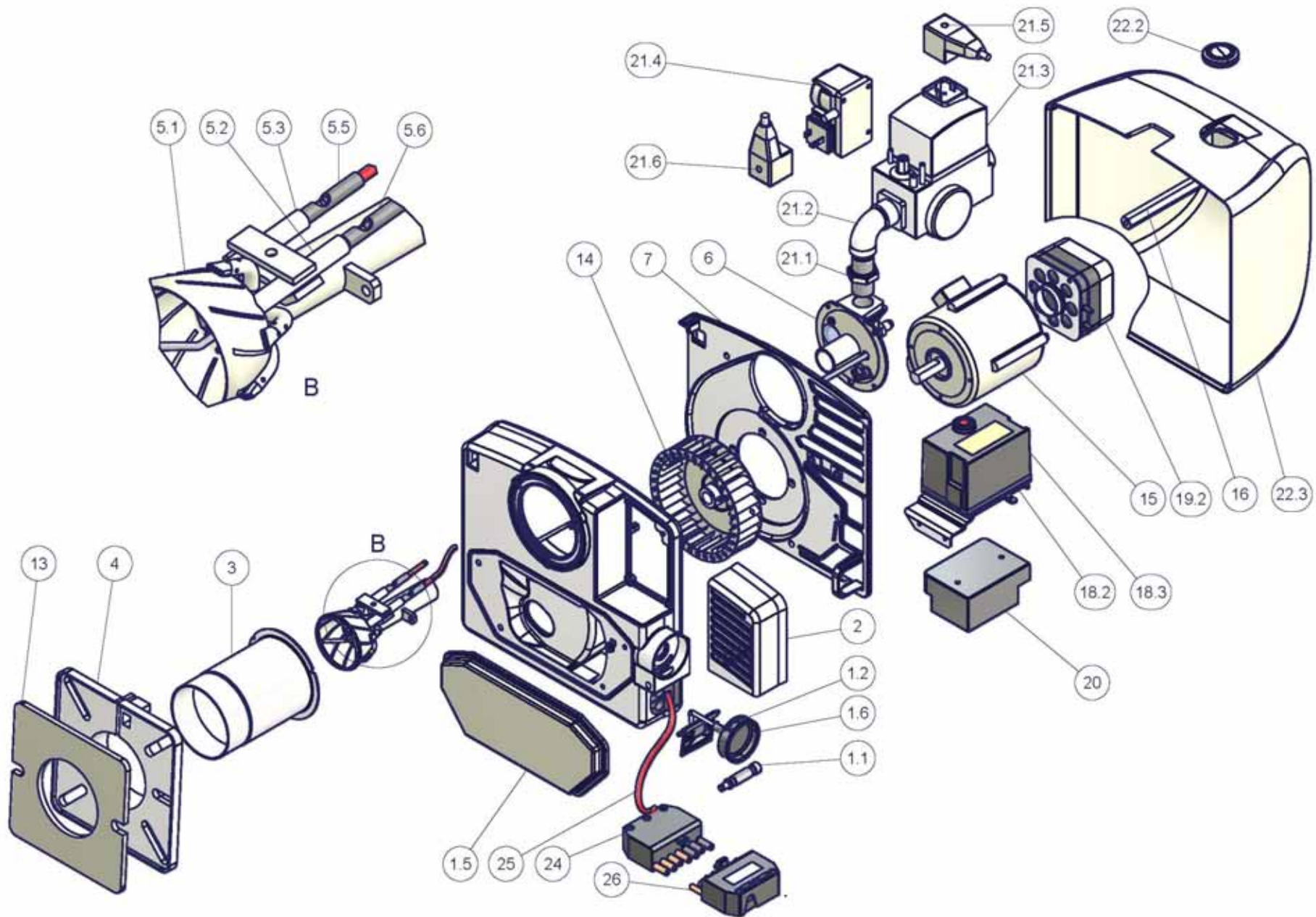
SIGLA/ITEM	FUNZIONE	FUNCTION
C1	CONTAORE BASSA FIAMMA	LOW FLAME TIME COUNTER
C2	CONTAORE ALTA FIAMMA	HIGH FLAME TIME COUNTER
FU1	FUSIBILE LINEA MOTORE VENTILATORE	FAN MOTOR LINE FUSE
FU3	FUSIBILE LINEA BRUCIATORE	BURNER LINE FUSE
IL	INTERRUTTORE LINEA BRUCIATORE	BURNER LINE SWITCH
IM	INTERRUTTORE LINEA MOTORE VENTILATORE	FAN MOTOR LINE SWITCH
KAB	RELE' AUSILARIO	AUXILIARY RELAY
LAF	LAMPADA SEGNALAZIONE ALTA FIAMMA BRUCIATORE	BURNER IN HIGH FLAME INDICATOR LIGHT
LB	LAMPADA SEGNALAZIONE BLOCCO BRUCIATORE	INDICATOR LIGHT FOR BURNER LOCK-OUT
LBF	LAMPADA SEGNALAZIONE BASSA FIAMMA BRUCIATORE	BURNER IN LOW FLAME INDICATOR LIGHT
ST	SERIE TERMOSTATI/PRESSOSTATI	SERIES OF THERMOSTATS OR PRESSURE SWITCHES
TAB	TERMOSTATO/PRESSOSTATO ALTA-BASSA FIAMMA	HIGH-LOW THERMOSTAT/PRESSURE SWITCHES
TS	TERMOSTATO/PRESSOSTATO DI SICUREZZA	SAFETY THERMOSTAT OR PRESSURE SWITCH

Data	26/06/2008	PREC.	FOGLIO
Revisione	00	1	2
Dis. N.	TAB_1	SEGUE	TOTALE
		/	1

**BURNER EXPLODED VIEW**

POS.	DESCRIPTION
1.1	SCREW
1.2	INTERNAL AIR DAMPER
1.5	AIR INTAKE
1.6	AIR DAMPER INDEX
2	GRID
3	STANDARD BLAST TUBE
4	FLANGE
5.1	STANDARD COMBUSTION HEAD
5.2	DETECTION ELECTRODE
5.3	IGNITION ELECTRODE
5.5	IGNITION CABLE
5.6	IGNITION CABLE
6	FLANGE
7	MOTOR SUPPORT PLATE
13	GENERATOR GASKET
14	FAN WHEEL
15	MOTOR

POS.	DESCRIPTION
16	PIN
18.2	CONTROL BOX SOCKET
18.3	CONTROL BOX
19.2	AIR PRESSURE SWITCH
20	IGNITION TRANSFORMER
21.1	NIPPLE
21.2	ELBOW
21.3	GAS VALVES GROUP WITH GOVERNOR
21.4	GAS PRESSURE
21.5	CONNECTOR
21.6	CONNECTOR
22.2	RUBBER COVER FOR PUSH-BUTTON
22.3	COVER
24	CONNECTOR
25	CABLE
26	CONNECTOR



**SPARE PARTS**

Description	Code	
	LG/NG35	NGX35
CONTROL BOX	2020466	2020466
DETECTION ELECTRODE	2080112	2080113
GROUNDING ELECTRODE	2080235	2080235
IGNITION ELECTRODE	2080268	2080268
GASKET	2110038	2110055
FAN WHEEL	2150048	2150048
AIR PRESSURE SWITCH	2160060	2160060
TRANSFORMER (COFI)	2170138	2170138
TRANSFORMER (DANFOSS)	2170233	2170233
MOTOR	2180705	2180705
VALVES GROUP DUNGS MBC 65 DLE (3/8")	21903K2	21903K2
VALVES GROUP DUNGS MB-DLE 405 (1/2")	2190339	2190339
GAS PROVING SYSTEM (option)	2191604	2191604
BLAST TUBE S*	30900H8	30900F2
BLAST TUBE L*	30900H9	30900F3
COVER	3010046	3010046
COMBUSTION HEAD S*	30600F3	30600K0
COMBUSTION HEAD L*	30600F4	30600L8
COMBUSTION HEAD & ELECTRODES S*	3501832	-
COMBUSTION HEAD & ELECTRODES L*	3501833	-
IGNITION CABLE S*	6050152	6050152
IGNITION CABLE L*	6050122	6050122
DETECTION CABLE	6050211	6050211

\*S: standard blast tube

\*L: extended blast tube



## APPENDIX: COMPONENTS CHARACTERISTICS

### SIEMENS LME11/21/22 CONTROL BOX

The series of equipment LME.. is used for the startup and supervision of 1- or 2- stage gas burners. The series LME..is interchangeable with the series LGB.. and LMG.., all diagrams and accessories are interchangeable, the main features are:

- Indications of error codes by a signalling multicolor LED in the lockout reset button;
- Programmer fix times for the digital management of signals.

#### Comparative table

LGB Series	LMG Series	LME Series
---	LMG 25.33	LME 11.33
LGB 21.33	LMG 21.33	LME 21.33
LGB 22.33	LMG 22.33	LME 22.33

#### Preconditions for burner startup

- Burner control must be reset
- All contacts in the line are closed, request for heat
- No undervoltage
- Air pressure switch LP must be in its "no-load" position
- Fan motor or AGK25 is closed
- Flame detector is darkened and there is no extraneous light

#### Undervoltage

Safety shutdown from the operating position takes place should mains voltage drop below about AC 175 V (at UN = AC 230 V)

Restart is initiated when mains voltage exceeds about AC 185 V (at UN = AC 230 V).

#### Controlled intermittent operation

After no more than 24 hours of continuous operation, the burner control will initiate automatic controlled shutdown followed by a restart.

#### Reversed polarity protection with ionization




If the connections of live conductor (terminal 12) and neutral conductor (terminal 2) are mixed up, the burner control will initiate lockout at the end of the safety time "TSA".

#### Control sequence in the event of fault

If lockout occurs, the outputs for the fuel valves, the burner motor and the ignition equipment will immediately be deactivated (< 1 second).

#### Operational status indication

In normal operation, the different operating states are showed by means of the multicolor LED, inside the lockout reset button:

	red LED	..... Steady on
	yellow LED	..... Off
	green LED	○... Off

During startup, status indication takes place according to the table:

Status	Color code	Color
Waiting time tw, other waiting states	○.....	Off
Ignition phase, ignition controlled	●○●○●○●○●○●○	Flashing yellow
Operation, flame ok	□.....	Green
Operation, flame not ok	□○□○□○□○□○□○	Flashing green
Extraneous light on burner startup	□▲□▲□▲□▲□▲□▲	Green - red

Status	Color code	Color
Undervoltage	●▲●▲●▲●▲●▲	Yellow - red
Fault, alarm	▲.....	Red
Error code output (refer to "Error code table")	▲○ ▲○ ▲○ ▲○	Flashing red

### START-UP PROGRAM

As far as the startup program, see its time diagram:

#### A Start command (switching on)

This command is triggered by control thermostat / pressure controller «R». Terminal 12 receives voltage and the programming mechanism starts running. On completion of waiting time «tw» with the LME21..., or after air damper «SA» has reached the nominal load position (on completion of «t11») with the LME22..., fan motor «M» will be started.

#### tw Waiting time

During the waiting time, air pressure monitor «LP» and flame relay «FR» are tested for correct contact positions.

#### t11 Programmed opening time for actuator «SA»

(Only with LME22...) The air damper opens until the nominal load position is reached. Only then will fan motor «M» be switched on.

#### t10 Specified time for air pressure signal

On completion of this period of time, the set air pressure must have built up, or else lockout will occur.

#### t1 Prepurge time

Purging the combustion chamber and the secondary heating surfaces: required with low-fire air volumes when using the LME21... and with nominal load air volumes when using the LME22.... The diagrams show the so-called prepurge time «t1» during which air pressure monitor «LP» must indicate that the required air pressure is available. The effective prepurge time «t1» comprises interval end «tw» through «t3».

#### t12 Programmed closing time for actuator «SA»

(Only with LME22...)During «t12», the air damper travels to the low-fire position.

#### t3 Preignition time

During «t3» and up to the end of «TSA», flame relay «FR» is forced to close. On completion of «t3», the release of fuel is triggered at terminal 4.

#### TSA Ignition safety time

On completion of «TSA», a flame signal must be present at terminal 1. That flame signal must be continuously available until shutdown occurs, or else flame relay «FR» will be deenergized, resulting in lockout.

#### t4 Interval BV1 and BV2-LR

Time between the end of TSA and the signal to the second fuel valve BV2 or to the load controller LR

#### B - B' Interval for flame establishment

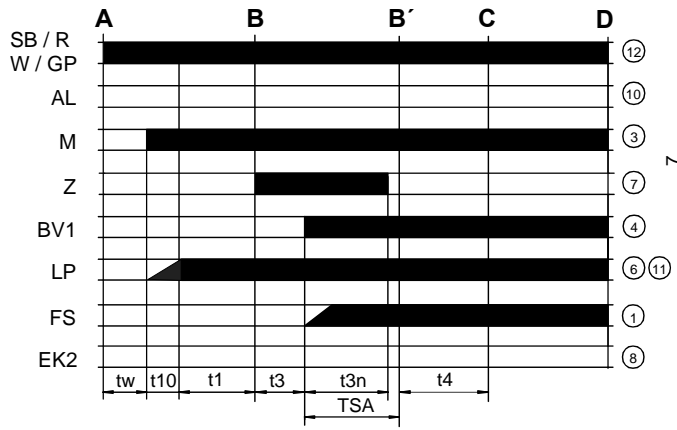
C Burner operation position

C - D Burner operation (heat production)

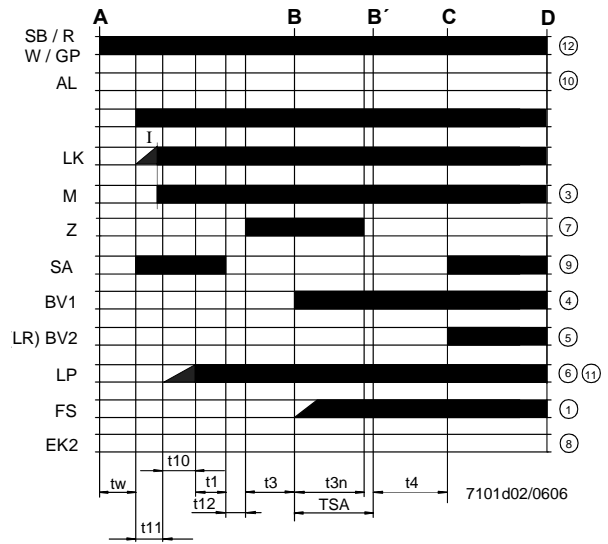
D Controlled by "R" shutdown

The burner stops and the control device is ready for a new startup.

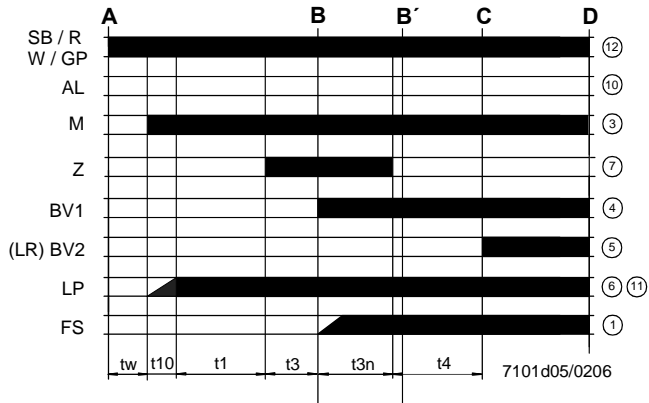
**LME11 control sequence**



**LME22 control sequence**



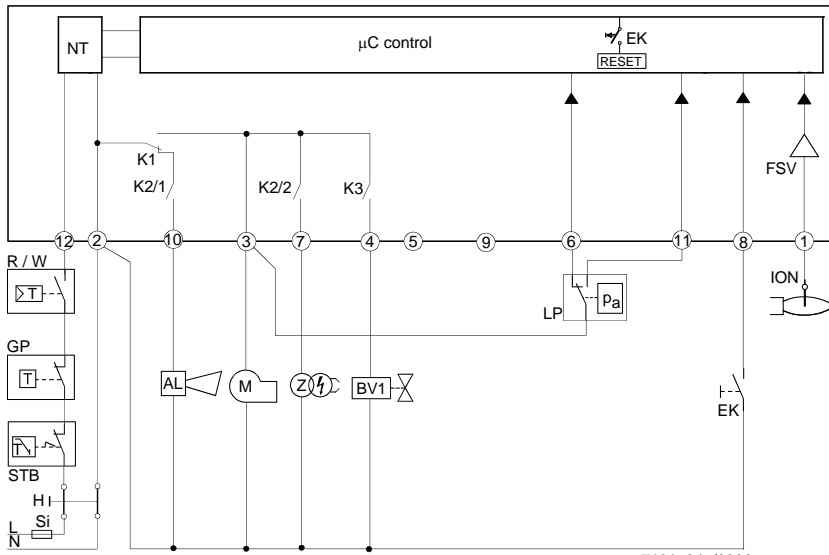
**LME21 control sequence**



**Control sequence**

- $t_w$  Waiting time
- $t_1$  Purge time
- TSA Ignition safety time
- $t_3$  Preignition time
- $t_{3n}$  Postignition time
- $t_4$  Interval between BV1 and BV2/LR
- $t_{10}$  Specified time for air pressure signal
- $t_{11}$  Programmed opening time for actuator SA
- $t_{12}$  Programmed closing time for actuator SA

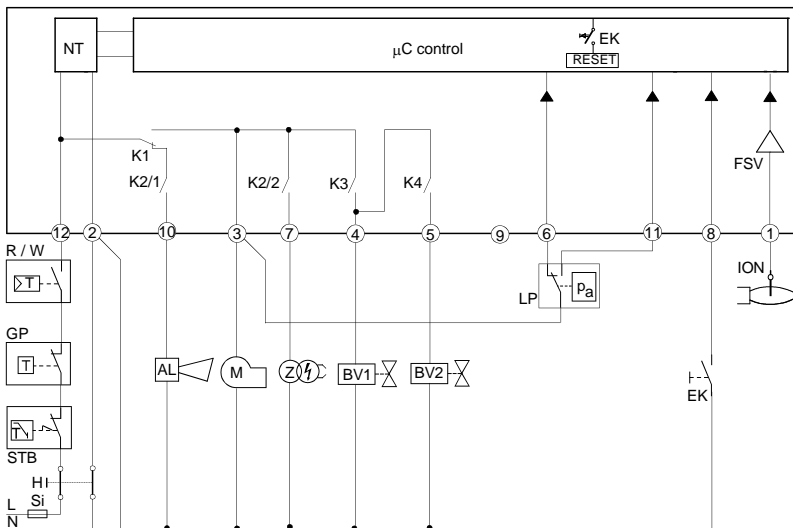
### LME11 connection diagram



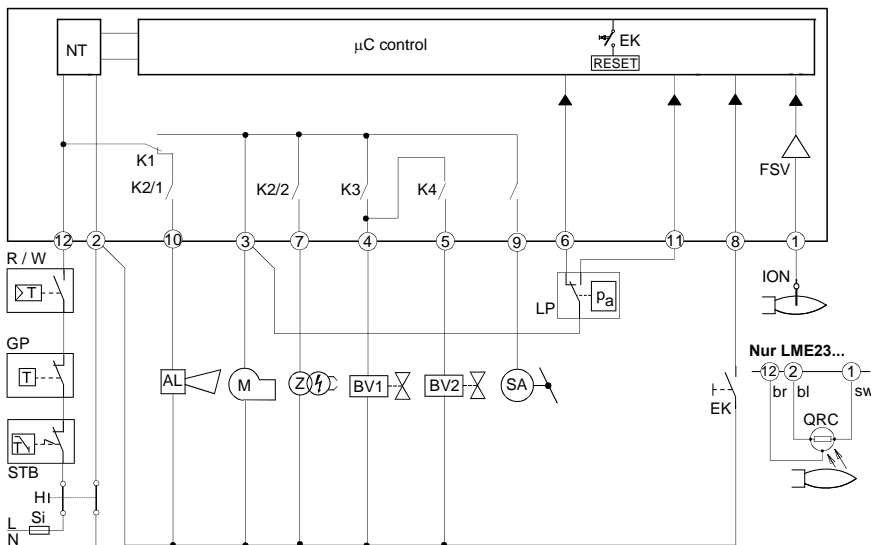
### Connection diagram

- AL Error message (alarm)
- BV Fuel valve
- EK2 Remote lockout reset button
- FS Flame signal
- GP Gas pressure switch
- LP Air pressure switch
- LR Load controller
- M Fan motor
- R Control thermostat/pressurestat
- SB Safety limit thermostat
- W Limit thermostat /pressure switch
- Z Ignition transformer

### LME21 connection diagram



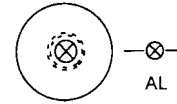
### LME22 connection diagram



## CONTROL PROGRAM IN THE EVENT OF FAULT

- If a fault occurs, all outputs will immediately be deactivated (in less than 1s).
- After an interruption of power, a restart will be made with the full program sequence.
- If the operating voltage drops below the undervoltage threshold, a safety shutdown is performed.
- If the operating voltage exceeds the undervoltage threshold, a restart will be performed.
- In case of extraneous light during "t1", a lockout occurs.
- In case of extraneous light during "tw", there is a prevention of startup and a lockout after 30 seconds.
- In case of no flame at the end of TSA, there will be max. 3 repetitions of the startup cycle, followed by a lockout at the end of TSA, for mod. LME11..; directly a lockout at the end of TSA for LME21-22 models.
- For LME11 model: if a loss of flame occurs during operation, in case of an establishment of flame at the end of TSA, there will be max. 3 repetitions, otherwise a lockout will occur.
- For LME21-22 models: if a loss of flame occurs during operation, there will be a lockout.
- If the contact of air pressure monitor LP is in working position, a prevention of startup and lockout after 65 seconds will occur.
- If the contact of air pressure monitor LP is in normal position, a lockout occurs at the end of t10.
- If no air pressure signal is present after completion of t1, a lockout will occur.

In the event of lockout, the LME.. remains locked and the red signal lamp (LED) will light up. The burner control can immediately be reset. This state is also maintained in the case of mains failure.



## DIAGNOSTICS OF THE CASE OF FAULT

- Press the lockout reset button for more than 3 seconds to activate the visual diagnostics.
- Count the number of blinks of the red signal lamp and check the fault condition on the "Error code table" (the device repeats the blinks for regular intervals).

During diagnostics, the control outputs are deactivated:

- the burner remains shut down;
- external fault indication is deactivated;
- fault status is showed by the red LED, inside the LME's lockout reset button according to the "Error code table":

## CONTROL BOX LOCKED

ERROR CODE TABLE	
<b>2 blinks **</b>	<b>No establishment of flame at the end of TSA</b> - Faulty or soiled fuel valves - Faulty or soiled flame detector - Inadequate adjustment of burner, no fuel - Faulty ignition equipment
<b>3 blinks ***</b>	<b>The air pressure switch does not switch or remains in idle position:</b> - LP is faulty - Loss of air pressure signal after t10 - LP is welded in normal position.
<b>4 blinks ****</b>	- Extraneous light when burner starts up.
<b>5 blinks *****</b>	- LP is working position.
<b>6 blinks *****</b>	Free.
<b>7 blinks *****</b>	<b>Loss of flame during operation</b> - Faulty or soiled fuel valves - Faulty or soiled flame detector - Inadequate adjustment of burner
<b>8 ÷ 9 blinks</b>	Free
<b>10 blinks *****</b>	<b>Faulty output contacts</b> - Wiring error - Anomalous voltage on output terminals - Other faults
<b>14 blinks *****</b>	- CPI contact not closed.

## RESETTING THE BURNER CONTROL

When lockout occurs, the burner control can immediately be reset, by pressing the lockout reset button for about 1..3 seconds. The LME.. can only be reset when all contacts in the line are closed and when there is no undervoltage.

## LIMITATION OF REPETITIONS (only for LME11.. model)

If no flame is established at the end of TSA, or if the flame is lost during operation, a maximum of 3 repetitions per controller startup can be performed via "R", otherwise lockout will be initiated. Counting of repetitions is restarted each time a controlled startup via "R" takes place.

## TECHNICAL CHARACTERISTICS

Mains voltage	120V AC +10% / -15% 230V AC +10% / -15%
Frequency	50 ... 60 Hz +/- 6%
Power consumption	12VA
External primary fuse	max. 10 A (slow)
input current at terminal 12	max. 5 A
Thermostats cable length	max. 3 m
Index of protection	IP40 (to be ensured during mounting)
Operating conditions	-20... +60 °C, < 95% UR
Storage conditions	-20... +60 °C, < 95% UR
Weight	approx. 160 g

---

---

---

---

---

---



C.I.B. UNIGAS S.p.A.  
Via L.Galvani, 9 - 35011 Campodarsego (PD) - ITALY  
Tel. +39 049 9200944 - Fax +39 049 9200945/9201269  
web site: [www.cibunigas.it](http://www.cibunigas.it) - e-mail: [cibunigas@cibunigas.it](mailto:cibunigas@cibunigas.it)

Note: specifications and data are subject to change without notice. Errors and omissions excepted.