

Bruciatori di gasolio

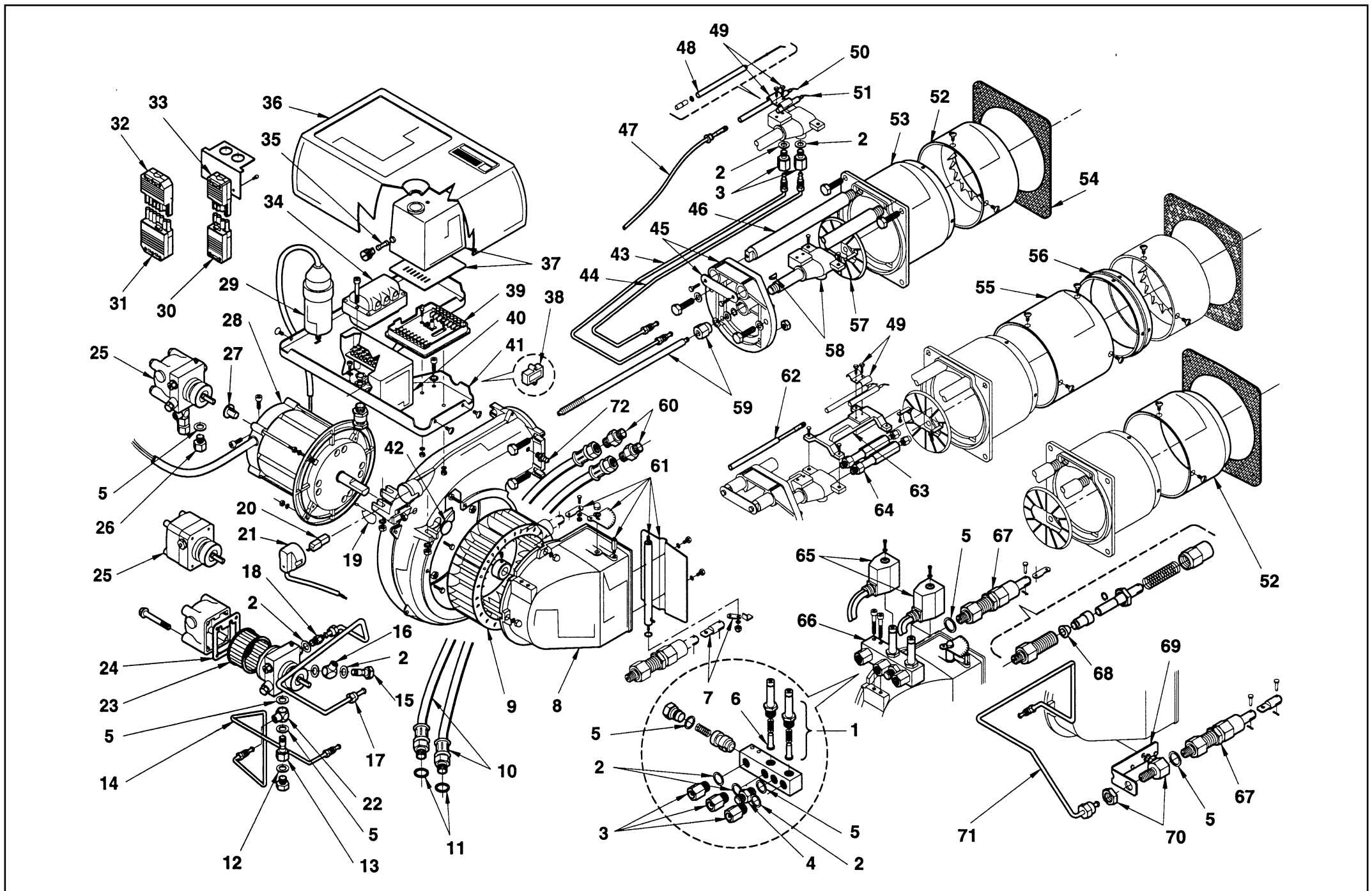
Light oil burners

Brûleurs fioul domestique

Ölbrenner

Funzionamento bistadio
Two-stage operation
Fonctionnement à deux allures
Zweistufiger Betrieb

COD.	MOD.	TYP.
3473718	PRESS GW	605 T1
3473719	PRESS GW	605 T2
3473753	PRESS GBW	605 T50



N.	COD.	3473718-605 T1	3473719-605 T2	3473753-605 T50	DESCRIZIONE	DESCRIPTION	DESCRIPTION	BESCHREIBUNG	MATRICOLA BRUCIATORE BURNER SERIAL NUMBER MATRICULE BRULEUR BRENNER KENN-NUMMER
1	3005733	●	●	●	VALVOLA	NEEDLE VALVE	ROBINET POINTEAU	NADELVENTIL	
2	3007077	●	●	●	GUARNIZIONE	SEAL	RONDELLE	METALLDICHTUNG	
3	3006719	●	●	●	RACCORDO	CONNECTOR	MAMELON	NIPPEL	
4	3006723	●	●	●	RACCORDO	CONNECTOR	MAMELON	NIPPEL	
5	3007079	●	●	●	GUARNIZIONE	SEAL	RONDELLE	METALLDICHTUNG	
6	3006038	●	●	●	SPILLO	PIN	NOYAU ELECTROVANNE	KERN	
7	3003676		●		BIELLA	LINKAGE	BIELLETTA	PLEUEL	
8	3003497	●	●	●	BOCCA D'ASPIRAZIONE	AIR INTAKE	BOITIER D'ASPIRATION	ANSAUGÖFFNUNG	
8	3003385		●		BOCCA D'ASPIRAZIONE	AIR INTAKE	BOITIER D'ASPIRATION	ANSAUGÖFFNUNG	
9	3005671	●	●	●	GIRANTE	FAN	TURBINE	GEBLÄSERAD	
10	3009055	●	●	●	TUBO FLESSIBILE	FLEXIBLE OIL LINE	FLEXIBLE	SCHLAUCH	
11	3007088	●	●	●	GUARNIZIONE	SEAL	RONDELLE	METALLDICHTUNG	
12	3007082	●	●	●	GUARNIZIONE	SEAL	RONDELLE	METALLDICHTUNG	
13	3006783	●	●	●	RACCORDO	CONNECTOR	MAMELON	NIPPEL	
14	3006730	●	●	●	TUBO	TUBE	TUYAUTERIE	DRUCKROHR	
15	3006721		●		PERNO	SCREW	VIS CREUSE	HOHLKERNSCHRAUBE	
16	3006722		●		RACCORDO	CONNECTOR	MAMELON	NIPPEL	
17	3006731	●	●	●	TUBO	TUBE	TUYAUTERIE	DRUCKROHR	
18	3006720	●	●	●	RACCORDO	CONNECTOR	MAMELON	NIPPEL	
19	3003325	●	●	●	FERMO	SPRING LOCK	RESSORT D'APPUI	SICHERUNGSFEDER	
20	3002280	●	●	●	FOTORESISTENZA	P.E. CELL	CELLULE	FOTOWIDERSTAND	
21	3006441	●	●	●	PRESA	HOLDER	PRISE CELLULE	SOCKEL	
22	3006784	●	●	●	RACCORDO	CONNECTOR	MAMELON	NIPPEL	
23	3003082	●	●	●	FILTRO	FILTER	FILTRE	PUMPENFILTER	
24	3003081	●	●	●	GUARNIZIONE	SEAL	JOINT COUVERCLE POMPE	PUMPENDICHTUNG	
25	3006676	●	●	●	POMPA	PUMP	POMPE	PUMPE	
26	3005739	●	●	●	RACCORDO	CONNECTOR	MAMELON	NIPPEL	
27	3006717	●	●	●	GIUNTO	JOINT	ACCOUPLMENT	KUPPLUNG	
28	3005286	●	●	●	MOTORE	MOTOR	MOTEUR	MOTOR	
29	3005285	●	●		CONDENSATORE	CONDENSER	CONDENSATEUR	KONDENSATOR	
29	3005548		●		CONDENSATORE	CONDENSER	CONDENSATEUR	KONDENSATOR	
30	3006948		●		SPINA 4 POLI	4 POLE PLUG	FICHE 4 POLES	STECKER 4 POLEN	
31	3006937		●		SPINA 7 POLI	7 POLE PLUG	FICHE 7 POLES	STECKER 7 POLEN	
32	3006938		●		PRESA 7 POLI	7 POLE SOCKET	PRISE 7 POLES	STECKERBUCHSE 7 POLEN	
33	3006949		●		PRESA 4 POLI	4 POLE SOCKET	PRISE 4 POLES	STECKERBUCHSE 4 POLEN	
34	3012159	●	●	●	TRASFORMATORE	TRANSFORMER	TRANSFORMATEUR	ZÜNDTRANSFORMATOR	
35	3006211	●	●	●	FUSIBILE	FUSE	FUSIBLE	SCHMELZSICHERUNG	
36	3003387	●	●	●	COPERCHIO	COVER	COUVERCLE	DECKEL	
37	3001150	●	●	●	APPARECCHIATURA	CONTROL BOX	BOITE DE CONTROLE	STEUERGERÄT	
38	3012160	●	●	●	FILTRO ANTIDISTURBO	DEGLITCHER	FILTRE	ENTSTÖRER	
39	3003784	●	●	●	MORSETTIERA	CONTROL BOX BASE	SOCLE	STECKSOCKEL	
40	3003071	●	●	●	COPERCHIO	COVER	COUVERCLE	PVC ABDECKUNG	
41	3003328	●	●	●	MENSOLA	BASE PLATE	PLAQUE DE SUPPORT	GRUNDPLATTE	
42	3003406	●	●	●	PROTEZIONE	GRID	PROTECTION	SCHUTZGITTER	

N.	COD.				DESCRIZIONE	DESCRIPTION	DESCRIPTION	BESCHREIBUNG	MATRICOLA BRUCIATORE BURNER SERIAL NUMBER MATRICULE BRULEUR BRENNER KENN-NUMMER
		3473718-605T1	3473719-605T2	3473753-605T50					
43	3006729	●	●	●	TUBO	TUBE	TUYAUTERIE	DRUCKROHR	
44	3006728	●	●	●	TUBO	TUBE	TUYAUTERIE	DRUCKROHR	
45	3003905	●	●	●	COLLARE	COLLAR	COLLIER	INNERER FLANSCH	
46	3003906	●	●	●	PERNO	BAR	GLISSIERE	BOLZEN	
47	3003794	●	●	●	COLLEGAMENTO	H.T. LEAD	CABLE H.T.	ZÜNDKABEL	
48	3004843	●	●	●	ISOLATORE	INSULATOR	PORCELAINE D'ELECTRODE	ISOLATOR	
49	3003495	●	●	●	CAVALLOTTO	U BOLT	CAVALIER	BÜGELBOLZEN	
50	3004842	●	●	●	ELETTRODO	ELECTRODE	ELECTRODE PORCELAINE	ELEKTRODE	
51	3005490	●	●	●	ELETTRODO DI MASSA	EARTH ELECTRODE	ELECTRODE MASSE	MASSE ELEKTRODE	
52	3005672	●	●	●	IMBUTO FIAMMA	END CONE	EMBOUT GUEULARD	FLAMMENROHR	
52	3005696	●	●	●	IMBUTO FIAMMA	END CONE	EMBOUT GUEULARD	FLAMMENROHR	
53	3005683	●	●	●	BOCCAGLIO	BLAST TUBE	GUEULARD	BRENNERFLANSCH	
54	3005741	●	●	●	SCHERMO	FLANGE GASKET	ECRAN THERMIQUE	FLANSCHDICHTUNG	
*55	3000586	●	●	●	CILINDRO	SLEEVE	CYLINDRE	ZYLINDER	
*56	3000584	●	●	●	DENTE	CONNECTION	JONCTION	STAURING	
57	3005673	●	●	●	ELICA	DIFFUSER DISC	ACCROCHE FLAMME	STAUSCHEIBE	
58	3005520	●	●	●	PORTASPRUZZO	NOZZLE HOLDER	PULVERISATEUR	DÜSENSTOCK	
59	3003907	●	●	●	ALBERO	SHAFT	ARBRE	WELLE	
60	3009068	●	●	●	RACCORDO	CONNECTOR	MAMELON	NIPPEL	
61	3000609	●	●	●	GRUPPO SERRANDA	AIR DAMPER ASSEMBLY	GROUPE VOLET AIR	LUFTKLAPPE	
61	3000702	●	●	●	GRUPPO SERRANDA	AIR DAMPER ASSEMBLY	GROUPE VOLET AIR	LUFTKLAPPE	
*62	3000478	●	●	●	PROLUNGA ELETTRODO	ELECTRODE EXTENSION	RALLONGE ELECTRODE	ELEKTRODE VERLÄNGERUNG	
*63	3000566	●	●	●	SUPPORTO ELETTRODI	ELECTRODE BRACKET	SUPPORT ELECTRODES	ELEKTRODEN HALTERUNG	
*64	3000472	●	●	●	PROLUNGA	EXTENSION	RALLONGE	VERLÄNGERUNG	
65	3006714	●	●	●	BOBINA	COIL	BOBINE E.V.	MV-SPULE	
66	3005492	●	●	●	GRUPPO VALVOLE	VALVE ASSEMBLY	GROUPE ELECTROVANNE	MAGNETVENTILBLOCK	
67	3005493	●	●	●	MARTINETTO	HYDRAULIC JACK	VERIN AIR	DRUCKKOLBEN FÜR LUFTKLAPPE	
68	3007132	●	●	●	ANELLO DE	DE RING	JOINT	DE RING	
69	3003691	●	●	●	SQUADRETTA	SQUARE	EQUERRE-SUPPORT	HALTER	
70	3006089	●	●	●	RACCORDO	CONNECTOR	MAMELON	NIPPEL	
71	3006732	●	●	●	TUBO	TUBE	TUYAUTERIE	DRUCKROHR	
72	3003322	●	●	●	RACCORDO	CONNECTOR	MAMELON	NIPPEL	

* = Versione Testa Lunga - Long Combustion Head Version - Version Tête Longue - Langer Brennkopf Ausführung



RIELLO S.p.A.
Via degli Alpini 1
I - 37045 Legnago (VR)
Tel.: +39.0442.630111 Fax: +39.0442.630375
[http:// www.rielloburners.com](http://www.rielloburners.com)