

# Bruciatori di gasolio

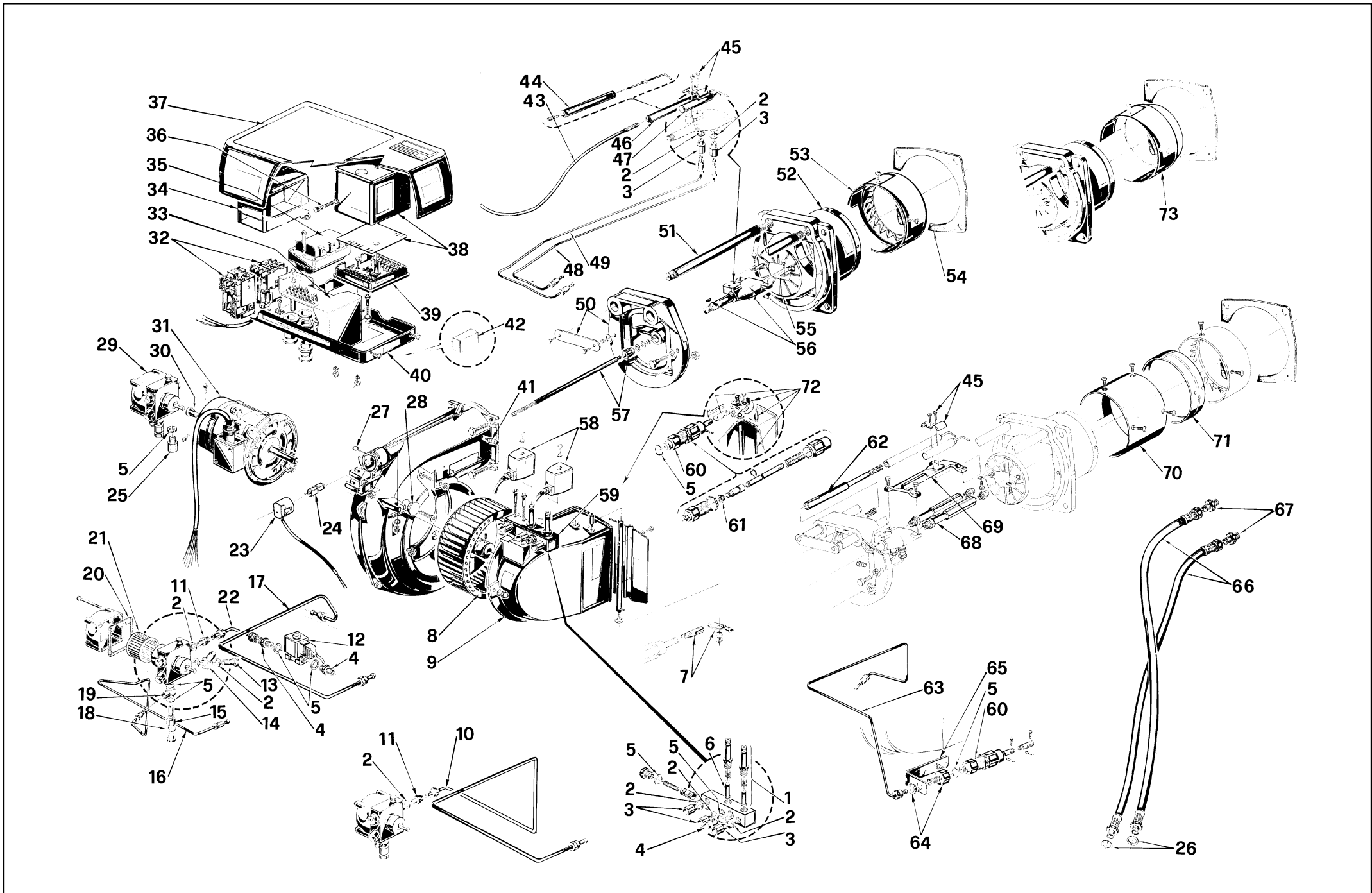
## Light oil burners

### Brûleurs fioul domestique

### Ölbrenner

Funzionamento bistadio  
Two-stage operation  
Fonctionnement à deux allures  
Zweistufiger Betrieb

COD.	MOD.	TYP.
<b>3474518</b>	<b>PRESS 1G</b>	<b>606 T1</b>
<b>3474519</b>	<b>PRESS 1G</b>	<b>606 T2</b>
<b>3474918</b>	<b>PRESS 2G</b>	<b>607 T1</b>
<b>3474919</b>	<b>PRESS 2G</b>	<b>607 T2</b>



N.	COD.					DESCRIZIONE	DESCRIPTION	DESCRIPTION	BESCHREIBUNG	MATRICOLA BRUCIATORE BURNER SERIAL NUMBER MATRICULE BRULEUR BRENNER KENN-NUMMER
		3474518-606 T1	3474519-606 T2	3474918-607 T1	3474919-607 T2					
1	3005733	●	●	●	●	VALVOLA	NEEDLE VALVE	ROBINET POINTEAU	NADELVENTIL	
2	3007077	●	●	●	●	GUARNIZIONE	SEAL	RONDELLE	METALLDICHTUNG	
3	3006719	●	●	●	●	RACCORDO	CONNECTOR	MAMELON	NIPPEL	
4	3006723	●	●	●	●	RACCORDO	CONNECTOR	MAMELON	NIPPEL	
5	3007079	●	●	●	●	GUARNIZIONE	SEAL	RONDELLE	METALLDICHTUNG	
6	3006038	●	●	●	●	SPIILLO	PIN	NOYAU ELECTROVANNE	KERN	
7	3003676		●		●	BIELLA	LINKAGE	BIELLETTE	PLEUEL	
8	3005443	●	●			GIRANTE	FAN	TURBINE	GEBLÄSERAD	
8	3005444			●	●	GIRANTE	FAN	TURBINE	GEBLÄSERAD	
9	3003361	●	●			BOCCA D'ASPIRAZIONE	AIR INTAKE	BOITIER D'ASPIRATION	ANSAUGÖFFNUNG	
9	3003362			●	●	BOCCA D'ASPIRAZIONE	AIR INTAKE	BOITIER D'ASPIRATION	ANSAUGÖFFNUNG	
10	3006765	●				TUBO	TUBE	TUYAUTERIE	DRUCKROHR	
10	3006737			●		TUBO	TUBE	TUYAUTERIE	DRUCKROHR	
11	3006720	●	●	●	●	RACCORDO	CONNECTOR	MAMELON	NIPPEL	
12	3006373		●		●	ELETTROVALVOLA	SOLENOID VALVE	ELECTRO-VANNE	MAGNET VENTIL	
13	3006721		●		●	PERNO	SCREW	VIS CREUSE	HOHLKERNSCHRAUBE	
14	3006722		●		●	RACCORDO	CONNECTOR	MAMELON	NIPPEL	
15	3006783	●	●	●	●	RACCORDO	CONNECTOR	MAMELON	NIPPEL	
16	3006763	●	●			TUBO	TUBE	TUYAUTERIE	DRUCKROHR	
16	3006738			●	●	TUBO	TUBE	TUYAUTERIE	DRUCKROHR	
17	3006764		●			TUBO	TUBE	TUYAUTERIE	DRUCKROHR	
17	3006737				●	TUBO	TUBE	TUYAUTERIE	DRUCKROHR	
18	3007082	●	●	●	●	GUARNIZIONE	SEAL	RONDELLE	METALLDICHTUNG	
19	3006784	●	●	●	●	RACCORDO	CONNECTOR	MAMELON	NIPPEL	
20	3006788	●	●	●	●	GUARNIZIONE	SEAL	JOINT COUVERCLE POMPE	PUMPENDICHTUNG	
21	3006801	●	●	●	●	FILTRO	FILTER	FILTRE	PUMPENFILTER	
22	3006725		●		●	TUBO	TUBE	TUYAUTERIE	DRUCKROHR	
23	3006441	●	●	●	●	PRESA	HOLDER	PRISE CELLULE	SOCKEL	
24	3002280	●	●	●	●	FOTORESISTENZA	P.E. CELL	CELLULE	FOTOWIDERSTAND	
25	3005739	●	●	●	●	RACCORDO	CONNECTOR	MAMELON	NIPPEL	
26	3007088	●	●	●	●	GUARNIZIONE	SEAL	RONDELLE	METALLDICHTUNG	
27	3003325	●	●	●	●	FERMO	SPRING LOCK	RESSORT D'APPUI	SICHERUNGSFEDER	
28	3003406	●	●	●	●	PROTEZIONE	GRID	PROTECTION	SCHUTZGITTER	
29	3006712	●	●	●	●	POMPA	PUMP	POMPE	PUMPE	
30	3006718	●	●	●	●	GIUNTO	JOINT	ACCOUPLMENT	KUPPLUNG	
31	3006716	●	●			MOTORE	MOTOR	MOTEUR	MOTOR	
31	3006618			●	●	MOTORE	MOTOR	MOTEUR	MOTOR	
32	3003565	●	●			AVVIATORE	STARTER	DEMARREUR	ANLASSER	
32	3003566			●	●	AVVIATORE	STARTER	DEMARREUR	ANLASSER	
33	3003071	●	●	●	●	COPERCHIO	COVER	COUVERCLE	PVC ABDECKUNG	
34	3003072	●	●	●	●	COPERCHIO	COVER	COUVERCLE	PVC ABDECKUNG	
35	3012159	●	●	●	●	TRASFORMATORE	TRANSFORMER	TRANSFORMATEUR	ZÜNDTRANSFORMATOR	
36	3006211	●	●	●	●	FUSIBILE	FUSE	FUSIBLE	SCHMELZSICHERUNG	
37	3003387	●	●	●	●	COPERCHIO	COVER	COUVERCLE	DECKEL	

N.	COD.					DESCRIZIONE	DESCRIPTION	DESCRIPTION	BESCHREIBUNG	MATRICOLA BRUCIATORE BURNER SERIAL NUMBER MATRICULE BRULEUR BRENNER KENN-NUMMER
		3474518-606 T1	3474519-606 T2	3474918-607 T1	3474919-607 T2					
38	3001150	●	●	●	●	APPARECCHIATURA	CONTROL BOX	BOITE DE CONTROLE	STEUERGERÄT	
39	3003784	●	●	●	●	MORSETTIERA	CONTROL BOX BASE	SOCLE	STECKSOCKEL	
40	3003328	●	●	●	●	MENSOLA	BASE PLATE	PLAQUE DE SUPPORT	GRUNDPLATTE	
41	3003322	●	●	●	●	RACCORDO	CONNECTOR	MAMELON	NIPPEL	
42	3012155	●	●	●	●	FILTRO ANTIDISTURBO	DEGLITCHER	FILTRE	ENTSTÖRER	
43	3003794	●	●	●	●	COLLEGAMENTO	H.T. LEAD	CABLE H.T.	ZÜNDKABEL	
44	3004843	●	●	●	●	ISOLATORE	INSULATOR	PORCELAINE D'ELECTRODE	ISOLATOR	
45	3003495	●	●	●	●	CAVALLOTTO	U BOLT	CAVALIER	BÜGELBOLZEN	
46	3004842	●	●	●	●	ELETTRODO	ELECTRODE	ELECTRODE PORCELAINE	ELEKTRODE	
47	3005490	●	●	●	●	ELETTRODO DI MASSA	EARTH ELECTRODE	ELECTRODE MASSE	MASSE ELEKTRODE	
48	3006734	●	●			TUBO	TUBE	TUYAUTERIE	DRUCKROHR	
48	3006740			●	●	TUBO	TUBE	TUYAUTERIE	DRUCKROHR	
49	3006735	●	●			TUBO	TUBE	TUYAUTERIE	DRUCKROHR	
49	3006741			●	●	TUBO	TUBE	TUYAUTERIE	DRUCKROHR	
50	3003687	●	●	●	●	COLLARE	COLLAR	COLLIER	INNERER FLANSCH	
51	3003688	●	●	●	●	PERNO	BAR	GLISSIERE	BOLZEN	
52	3005542	●	●			BOCCAGLIO	BLAST TUBE	GUEULARD	BRENNERFLANSCH	
52	3005545			●	●	BOCCAGLIO	BLAST TUBE	GUEULARD	BRENNERFLANSCH	
53	3005498	●				IMBUTO FIAMMA	END CONE	EMBOUT GUEULARD	FLAMMENROHR	
53	3005502			●		IMBUTO FIAMMA	END CONE	EMBOUT GUEULARD	FLAMMENROHR	
54	3005741	●	●	●	●	SCHERMO	FLANGE GASKET	ECRAN THERMIQUE	FLANSCHDICHTUNG	
55	3005499	●	●			ELICA	DIFFUSER DISC	ACCROCHE FLAMME	STAUISCHEIBE	
55	3005503			●	●	ELICA	DIFFUSER DISC	ACCROCHE FLAMME	STAUISCHEIBE	
56	3005520	●	●	●	●	PORTASPRUZZO	NOZZLE HOLDER	PULVERISATEUR	DÜSENSTOCK	
57	3003689	●	●			ALBERO	SHAFT	ARBRE	WELLE	
57	3003690			●	●	ALBERO	SHAFT	ARBRE	WELLE	
58	3006714	●	●	●	●	BOBINA	COIL	BOBINE E.V.	MV-SPULE	
59	3005492	●	●	●	●	GRUPPO VALVOLE	VALVE ASSEMBLY	GROUPE ELECTROVANNE	MAGNETVENTILBLOCK	
60	3005493	●	●	●	●	MARTINETTO	HYDRAULIC JACK	VERIN AIR	DRUCKKOLBEN FÜR LUFTKLAPPE	
61	3007132	●	●	●	●	ANELLO DE	DE RING	JOINT	DE RING	
* 62	3000478	●	●	●	●	PROLUNGA ELETTRODO	ELECTRODE EXTENSION	RALLONGE ELECTRODE	ELEKTRODE VERLÄNGERUNG	
63	3006733		●			TUBO	TUBE	TUYAUTERIE	DRUCKROHR	
63	3006739				●	TUBO	TUBE	TUYAUTERIE	DRUCKROHR	
64	3006089		●		●	RACCORDO	CONNECTOR	MAMELON	NIPPEL	
65	3003691		●			SQUADRETTA	SQUARE	EQUERRE-SUPPORT	HALTER	
65	3003692				●	SQUADRETTA	SQUARE	EQUERRE-SUPPORT	HALTER	
66	3009055	●	●	●	●	TUBO FLESSIBILE	FLEXIBLE OIL LINE	FLEXIBLE	SCHLAUCH	
67	3009068	●	●	●	●	RACCORDO	CONNECTOR	MAMELON	NIPPEL	
* 68	3000472	●	●			PROLUNGA	EXTENSION	RALLONGE	VERLÄNGERUNG	
* 68	3000473			●	●	PROLUNGA	EXTENSION	RALLONGE	VERLÄNGERUNG	
* 69	3000566	●	●			SUPPORTO ELETTRODI	ELECTRODE BRACKET	SUPPORT ELECTRODES	ELEKTRODEN HALTERUNG	
* 69	3000569			●	●	SUPPORTO ELETTRODI	ELECTRODE BRACKET	SUPPORT ELECTRODES	ELEKTRODEN HALTERUNG	
* 70	3000565	●	●			CILINDRO	SLEEVE	CYLINDRE	ZYLINDER	
* 70	3000568			●	●	CILINDRO	SLEEVE	CYLINDRE	ZYLINDER	

\* = Versione Testa Lunga - Long Combustion Head Version - Version Tête Longue - Langer Brennkopf Ausführung

N.	COD.	3474518-606 T1	3474519-606 T2	3474918-607 T1	3474919-607 T2	DESCRIZIONE	DESCRIPTION	DESCRIPTION	BESCHREIBUNG	MATRICOLA BRUCIATORE BURNER SERIAL NUMBER MATRICULE BRULEUR BRENNER KENN-NUMMER
* 71	3000564	●	●			DENTE	CONNECTION	JONCTION	STAURING	
* 71	3000567			●	●	DENTE	CONNECTION	JONCTION	STAURING	
72	3000609	●				GRUPPO SERRANDA	AIR DAMPER ASSEMBLY	GROUPE VOLET AIR	LUFTKLAPPE	
72	3000702		●			GRUPPO SERRANDA	AIR DAMPER ASSEMBLY	GROUPE VOLET AIR	LUFTKLAPPE	
72	3000610			●		GRUPPO SERRANDA	AIR DAMPER ASSEMBLY	GROUPE VOLET AIR	LUFTKLAPPE	
72	3000760				●	GRUPPO SERRANDA	AIR DAMPER ASSEMBLY	GROUPE VOLET AIR	LUFTKLAPPE	
73	3003355		●			IMBUTO FIAMMA	END CODE	EMBOUT GUEULARD	FLAMMENROHR	
73	3003356				●	IMBUTO FIAMMA	END CODE	EMBOUT GUEULARD	FLAMMENROHR	

\* = Versione Testa Lunga - Long Combustion Head Version - Version Tête Longue - Langer Brennkopf Ausführung



RIELLO S.p.A.  
Via degli Alpini 1  
I - 37045 Legnago (VR)  
Tel.: +39.0442.630111 Fax: +39.0442.630375  
[http:// www.rielloburners.com](http://www.rielloburners.com)